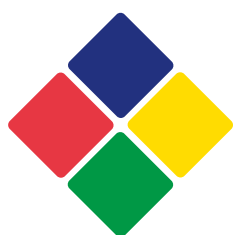


LED CONTOUR LIGHTING FLEXIBLE



LUCOLED

Experience Lighting

November 2024

LUCOLED

CONTOUR LIGHTING

Lucoflex D	4
Lucoflex RGB-TOP BEND	6
Lucoflex RGB-SIDE BEND	8
Lucoflex SLIM EXTREME CUTTABLE	10

POWER SUPPLIES / ACCESSOIRES

POWER SUPPLIES / CONTROLS	12
---------------------------	----



LUCOFLEX D

- *Extremely flexible, UV stable, impact resistant and flame retardant silicon extrusion*
- *Protection class IP68*
- *5 year warranty*
- *5 colours and white, daytime colours when non-illuminated*
- *Bright, dot-free and homogeneous light*
- *Runs up to 15 meters on only one power supply*
- *Adjustable in length, cuttable every 50mm, 30mm top bend radius.*

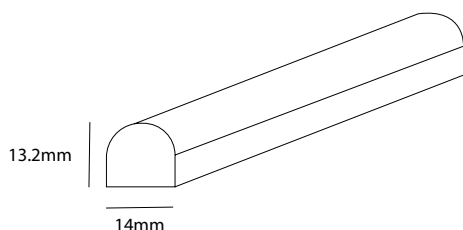
Lucoflex D is the world's first worthy alternative to neon lighting and signage. With its extreme flexibility and wide colour pallet Lucoflex provides neon artists and lighting designers the creative freedom they are looking for, while still delivering a high-efficient, reliable, long life and maintenance free solution.

Lucoflex D is perfect for architectural exterior and interior lighting applications as it provides high performance, dot-free and homogeneous light, ideal for highlighting the perimeters and outlines of buildings, canopies, letters, signs and open-face channel letters.

Our flexible, IP68 protected silicon extrusion is UV stable, impact resistant, flame retardant and has a high resistance to chemicals and environmental influences, and is therefore backed by our 5 year warranty.

SPECIFICATIONS

- Dimensions:
14mm (W) x 13.2mm (H)
Lengths of 15m (cuttable every 50mm)
- UV stable, impact resistant and flame retardant silicon extrusion
- 5 year warranty
- In-field flat bend of 30mm
- UL, CE and RoHS compliant
- Constant Current Technology
- Power per meter: 7.7W/m
- Protection class IP68
- Operating temperature -25°C ~ +60°C
- in-field flat bend of 30mm (radius)



LUCOFLEX TUBES

Item no	Description		Daytime colour	Nom. W/m
FD-06500-W	Cool white - 15m adjustable		6500K	7.7W/m
FD-00585-Y	Yellow - 15m adjustable		585-590nm	7.7W/m
FD-00620-R	Red - 15m adjustable		620-625nm	7.7W/m
FD-00520-G	Green - 15m adjustable		520-525nm	7.7W/m
FD-00465-B	Blue - 15m adjustable		465-470nm	7.7W/m
FD-00600-O	Orange - 15m adjustable		600-605nm	7.7W/m

ACCESSORIES

Item no	Description
FD-18001	Aluminium Mounting Channel (1m)
FD-18002	Aluminium Mounting Clip
FD-18003	End cap hole
FD-18004	Plastic mounting clip
FD-18010	End cap
F-18011	Silicon glue (45ml)

POWER SUPPLY CAPACITY 24V SERIES

Power Supplies	xx2460	xx24100	xx24150	VP24240	VP24400
Power Output	24VDC - 60W	24VDC - 100W	24VDC - 150W	24VDC - 240W	24VDC - 400W
All Lucoflex D colours (7.7W/m)	7m	12m	17m	28m	46m



LUCOFLEX RGB-TOP BEND

- *Extremely flexible, UV stable, impact resistant and flame retardant silicon extrusion*
- *Protection class IP67*
- *4 year warranty*
- *Full color range with RGB controller*
- *Adjustable in length, cuttable every 50mm*
- *Interfaces with all automation and control systems*

Lucoflex RGB offers a high quality colour changeable, flexible, solution for contour lighting, cove lighting and any other application requiring a colour matched product.

Lucoflex RGB-TB is a top bending flexible RGB product. Lucoflex RGB is designed for outdoor use, using solder connections and sealed silicon endcaps. It offers a spotless, bright effect. Even visible in daylight circumstances. Lucoflex RGB-TB can be used for outdoor, colour changing, building contours or accents.

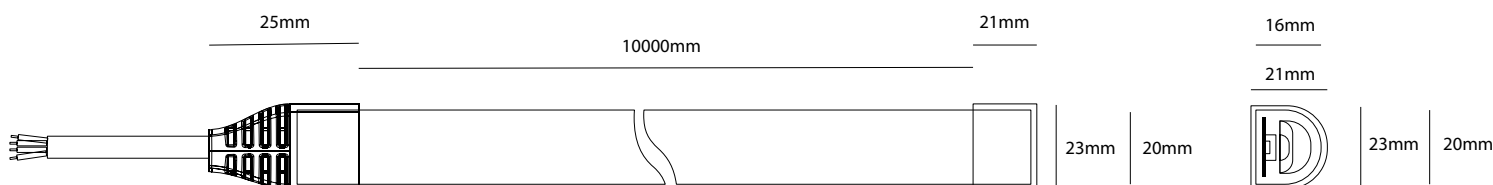
Lucoflex RGB can be controlled by all available control systems in the market, offering maximum flexibility for your projects.

SPECIFICATIONS

- Dimensions:
20mm (W) x 16mm (H)
Lengths of 10m
Cuttable every 50mm
- UV stable, impact resistant and flame retardant silicon extrusion
- 4 year warranty
- In-field flat bend of 100mm
- UL, CE and RoHS compliant
- Constant Current Technology
- Power per meter: 17.3W/m (RGB all on)
- Protection class IP67
- Operating temperature -25°C ~ +60°C



DIMENSIONS



LUCOFLEX RGB TOP-BEND TUBES & ACCESSORIES

Item no	Description
F-RGB-TB	RGB Top Bend - 10m adjustable
F-RGB-TB-PCIS	RGB Top Bend power supply connection set
F-RGB-TB-EC	RGB Top Bend end caps
F-RGB-TB-CLIPS	RGB Top Bend Plastic mounting clips

POWER SUPPLY CAPACITY 24V SERIES

Power Supplies	xx24100	xx24150	VP24240	VP24400
Power Output	24VDC - 100W	24VDC - 150W	24VDC - 200W	24VDC - 400W
Lucoflex RGB (17.3W/m if RGB all full on)	5m	8m	10m	21m



LUCOFLEX RGB-SIDE BEND

- *Extremely flexible, UV stable, impact resistant and flame retardant silicon extrusion*
- *Protection class IP67*
- *4 year warranty*
- *Full color range with RGB controller*
- *Adjustable in length, cuttable every 50mm*
- *Interfaces with all automation and control systems*

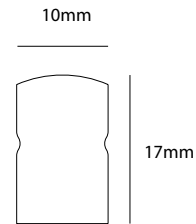
Lucoflex RGB offers a high quality colour changeable, flexible, solution for contour lighting, cove lighting and any other application requiring a colour matched product.

Lucoflex RGB-TB is a side bending flexible RGB product. Lucoflex RGB is designed for outdoor use, using solder connections and sealed silicon endcaps. It offers a spotless, bright effect. Even visible in daylight circumstances. Lucoflex RGB-SB can be used for outdoor, colour changing, neon-like signage or accents.

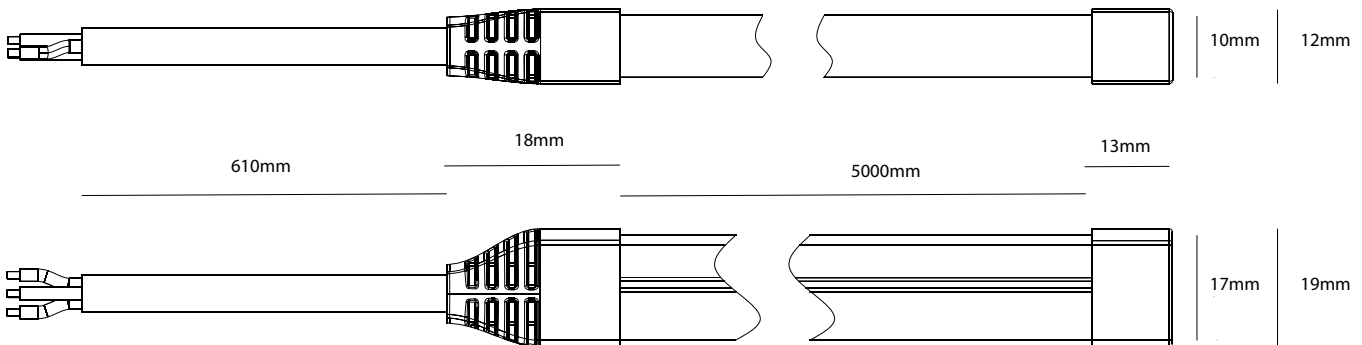
Lucoflex RGB can be controlled by all available control systems in the market, offering maximum flexibility for your projects.

SPECIFICATIONS

- Dimensions:
10mm (W) x 17mm (H)
Lengths of 5m
Cuttable every 50mm
- UV stable, impact resistant and flame retardant silicon extrusion
- 4 year warranty
- In-field side bend of 15mm
- UL, CE and RoHS compliant
- Constant Current Technology
- Power per meter: 17.3W/m (RGB all on)
- Protection class IP67
- Operating temperature -25°C ~ +70°C



DIMENSIONS



LUCOFLEX RGB SIDE-BEND TUBES & ACCESSORIES

Item no	Description
F-RGB-SB	RGB Side Bend - 5m adjustable
F-RGB-SB-PCIS	RGB Side Bend power supply connection set
F-RGB-SB-EC	RGB Side Bend end caps
F-RGB-SB-CLIPS	RGB Side Bend Plastic mounting clips
F-RGB-SB-ACS	RGB Side Bend Aluminium mounting clips
F-RGB-SB-ACL	RGB Side Bend 1m mounting profile

POWER SUPPLY CAPACITY 24V SERIES

Power Supplies	xx24100	xx24150	VP24240	VP24400
Power Output	24VDC - 100W	24VDC - 150W	24VDC - 240W	24VDC - 400W
Lucoflex RGB (17.3W/m if RGB all full on)	5m	8m	10m	21m



LUCOFLEX SLIM EXTREME CUTTABLE

- *Extremely flexible, UV stable, impact resistant and flame retardant silicon extrusion*
- *Protection class IP67*
- *5 year warranty*
- *Wide colour pallet, daytime colours when non-illuminated*
- *Bright, dot-free and homogeneous light*
- *Adjustable in length, cuttable every 10.4mm*

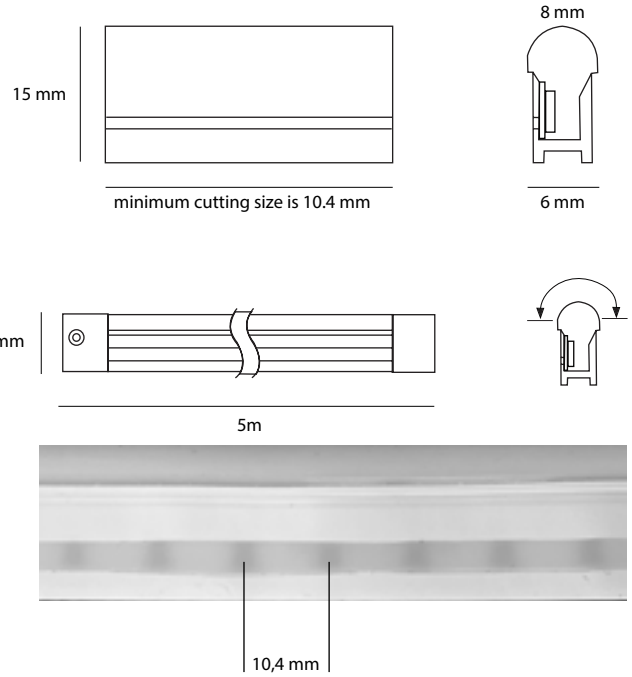
Lucoflex Slim Extreme Cuttable is the most flexible neon-replacement product currently available. It can be bent in a very small radius, allowing full artistic freedom as with traditional neon. As it can be cut every 10.4 mm it gives unlimited freedom to create any text or shape without having to think about cut distances.

The product is made with the latest in-mold silicon extrusion technology, UV resistant, weatherproof, non-yellowing.

Lucoflex slim extreme cuttable is a true low-power LED replacement for small neon signs and art pieces, available in 5 bright, even, colours.

SPECIFICATIONS

- Dimensions:
8 mm (W) x 15mm (H)
Lengths of 5 m
Cutttable every 10.4 mm
- UV stable, impact resistant and flame retardant silicon extrusion
- 5 year warranty
- UL, CE and RoHS compliant
- Constant Current Technology
- Power per meter: 11,5 W/m
- Protection class IP67
- 280 lm/m (white)
- Operating temperature -25°C ~ +60°C
- in-field flat bend of 30 mm (radius)



LUCOFLEX TUBES

Item no	Description		Daytime colour	Nom. W/m
FX-3000-W	Warm white - 5m adjustable		3000K	11,5 W/m
FX-6000-W	Cool white - 5m adjustable		6000K	11,5 W/m
FX-00620-R	Red - 5m adjustable		620-625nm	11,5 W/m
FX-00520-G	Green - 5m adjustable		520-525nm	11,5 W/m
FX-00465-B	Blue - 5m adjustable		465-470nm	11,5 W/m
FX-00590-Y	Yellow - 5m adjustable		590-595nm	11,5 W/m
FX-00600-O	Orange - 5m adjustable		600-605nm	11,5 W/m

ACCESSORIES

Item no	Description
FX-18001	Silicon endcap straight hole
FX-18002	Silicon endcap left hole
FX-18003	Silicon endcap bottom hole
FX-18004	Silicon endcap right hole
FX-18005	Silicon endcap no hole
FX-18006	Mounting Clip
F-18011	Silicon glue (45ml)

POWER SUPPLY CAPACITY 12V SERIES

Power Supplies	xx1230	xx1260	xx12100	xx12150	VP12240	VP12400
Maximum 5 m per single continuous feed	12VDC - 30W	12VDC - 60W	12VDC - 100W	12VDC - 150W	12VDC - 240W	12VDC - 400W
All Lucoflex Slim tubes (11,5 W/m)	2,3 m	4,7 m	7,8 m	11,7m	18.7m	31.3m



LUCOLED POWER SUPPLIES AND CONTROLS

- *Up to 7 years warranty*
- *Wide Voltage Input*
- *OVP, OCP, SCP, OTP protection function*
- *IP67 / IP68 Rating*
- *Class 2 (PP, PPXS, PPDS)*
- *Class II (PPM)*
- *Dim option (PPDS)*

Lucoled offers a full range of Premium Power Supplies. The various power options help you to match the installed power capacity to the total power used by your LED installation.

Lucoled Premium Power Supplies are designed and tested for safety, long life and reliability.

All power supplies are designed for outdoor use and carry all required international agency markings.

SPECIFICATIONS 12V POWER SUPPLIES

Output Voltage	12V
Working temperature range PP	-40°C~+65°C
Input Voltage Range	100VAC~240VAC
Input Frequency Range	50~60Hz
Protective Characteristics	Over-Current, Short-Circuit, Over Voltage and Over-Temperature protection
IP Rating	IP68
MTBF PP	≥70000hrs. MIL-HDBK-217F(25°C)
Warranty	7 Years, first 2 years extended.

Code	Output Current	Output Power	Input Current	Efficiency	Size (l x w x h)	Weight
PP1260	5A	60W	0.65A/115V - 0.35A/230V	≥86%	184x44x34mm	0,52kg
PP12100	8.33A	100W	1.1A/115V - 0.55A/230V	≥90%	204x67x35mm	0,88kg
PP12150	12.5A	150W	1.6A/115V - 0.8A/230V	≥92%	234x68x35mm	1kg



Type Approved
Safety
Regular
Production
Surveillance
www.tuv.com
ID 2000000000



IP68

SPECIFICATIONS **NEW** 12V POWER SUPPLIES

Output Voltage	12V
Working temperature range	-40°C~+55°C
Input Voltage Range	100VAC~240VAC
Input Frequency Range	50~60Hz
Protective Characteristics	Over-Current, Short-Circuit, Over Voltage and Over-Temperature protection
IP Rating	IP68
MTBF	40Khrs. MIL-HDBK-217F(25°C)
Warranty	7 Years, first 2 years extended.

Code	Output Current	Output Power	Input Current	Efficiency	Size (l x w x h)	Weight
VP1260	5A	60W	≤0.8A	≥84%	186x40x29mm	0.55kg
VP12100	8.33A	100W	≤1.22A	≥90%	163x68x37mm	0.69kg
VP12150	12.5A	150W	≤1.81A	≥90%	185x68x37mm	0.79kg
VP12240	20A	240W	≤2.93A	≥90%	217x68x37mm	0.98kg
VP12400	33.33A	400W	≤4.87A	≥92%	251x86x42mm	1.66kg



Type Approved
Safety
Regular
Production
Surveillance
www.tuv.com
ID 2000000000



IP68



Important:

- Lucoled recommends loading power supplies up to 90% of their maximum listed capacity.
- Select a power supply for your installation loaded at more than 50% of its maximum load to meet Power Factor regulations.
- Install with adequate ventilation and not in direct sunlight.
- Power supplies to be installed by trained and certified staff.

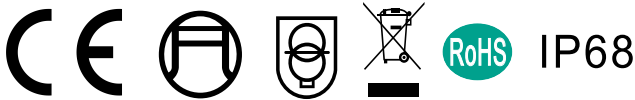
SPECIFICATIONS 24V POWER SUPPLIES

Output Voltage	24V
Working temperature range	-40°C~+65°C
Input Voltage Range	100VAC~240VAC
Input Frequency Range	50~60Hz
Protective Characteristics	Over-Current, Short-Circuit, Over Voltage and Over-Temperature protection
IP Rating	IP68
MTBF	≥70000hrs. MIL-HDBK-217F(25°C)
Warranty	7 Years, first 2 years extended.

Code	Output Current	Output Power	Input Current	Efficiency	Size (l x w x h)	Weight
PP2430	1.25A	30W	0.35A/115V - 0.19A/230V	≥84%	187x41x29mm	0,5kg
PP24100	4.16A	100W	1.1A/115V - 0.55A/230V	≥92%	204x67x35mm	0,88kg



Type Approved
Safety
Regular
Production
Surveillance
www.tuv.com
ID 200000000



SPECIFICATIONS **NEW** 24V POWER SUPPLIES

Output Voltage	24V
Working temperature range	-40°C~+55°C
Input Voltage Range	100VAC~240VAC
Input Frequency Range	50~60Hz
Protective Characteristics	Over-Current, Short-Circuit, Over Voltage and Over-Temperature protection
IP Rating	IP68
MTBF	40Khrs. MIL-HDBK-217F(25°C)
Warranty	7 Years, first 2 years extended.

Code	Output Current	Output Power	Input Current	Efficiency	Size (l x w x h)	Weight
VP2460	2.5A	60W	≤0.8A	≥84%	186x40x29mm	0.55kg
VP24100	4.17A	100W	≤1.22A	≥92%	163x68x37mm	0.69kg
VP24150	6.25A	150W	≤1.81A	≥93%	185x68x37mm	0.79kg
VP24240	10A	240W	≤2.93A	≥92%	217x68x37mm	0.98kg
VP24400	16.67A	400W	≤4.87A	≥93%	251x86x42mm	1.66kg



Type Approved
Safety
Regular
Production
Surveillance
www.tuv.com
ID 200000000



SPECIFICATIONS 12V/24V MINI, DOUBLE-ISOLATED CLASS II, POWER SUPPLIES

Output Voltage	12V/24V
Working temperature range	-40°C~+65°C
Input Voltage Range	120VAC~270VAC
Input Frequency Range	50~60Hz
Protective Characteristics	Over-Current, Short-Circuit, Over Voltage protection
IP Rating	IP67
MTBF	≥70000hrs. MIL-HDBK-217F (25°C)
Warranty	5 Years, first 2 years extended.

Code	Output Current	Output Power	Input Current	Efficiency	Size (l x w x h)	Weight
PPM1260	5,0 A	60W	0.65 A/120 VAC - 0.35 A/270 VAC	≥90%	157x23x20mm	0,25kg
PPM12100	8.0 A	100W	1.1 A/120 VAC - 0.55 A/270 VAC	≥92%	157x29x20mm	0,3kg
PPM2460	2.5 A	60W	0.65 A/120 VAC - 0.35 A/270 VAC	≥90%	157x23x20mm	0,25kg
PPM24100	4.0 A	100W	1.1 A/120 VAC - 0.55 A/270 VAC	≥92%	157x29x20mm	0,3kg



Type Approved
Safety
Regular
Production
Surveillance
www.tuv.com
ID 200000000



SPECIFICATIONS SLIM SHORT POWER SUPPLIES

Output Voltage	12V
Working temperature range	-25°C~+45°C
Input Voltage Range	200VAC~240VAC
Input Frequency Range	50~60Hz
Protective Characteristics	Over-Current, Short-Circuit, Over Voltage protection
IP Rating	IP67
MTBF	≥50000hrs. MIL-HDBK-217F(25°C)
Warranty	7 Years, first 2 years extended.

Code	Output Voltage	Output Current	Output Power	Input Current	Efficiency	Size (l x w x h)	Weight
PPXS1230	12 V	2.5A	30W	0.22A/200-240VAC	≥85%	183x35x20mm	0,25kg
PPXS1260	12 V	5A	60W	0.38A/200-240VAC	≥87%	183x35x20mm	0,25kg
PPXS12100	12 V	8.3A	100W	0.7A/200-240VAC	≥90%	209x35x20mm	0,32kg
PPXS12150	12 V	12.5A	150W	0.8A/200-240VAC	≥90%	233x45x23mm	0,39kg
PPXS24100	24 V	4.2A	100W	0.7A/200-240VAC	≥90%	209x35x20mm	0,32kg
PPXS24150	24 V	6.25A	150W	0.8A/200-240VAC	≥90%	233x45x23mm	0,39kg



IP68



SPECIFICATIONS 12V SLIM DIMMABLE POWER SUPPLIES

Output Voltage	12V/24V-25°C~+45°C
Working temperature range	200VAC~240VAC
Input Voltage Range	50~60Hz
Input Frequency Range	Over-Current, Short-Circuit, Over Voltage protection
Protective Characteristics	IP67
IP Rating	≥50000hrs. MIL-HDBK-217F(25°C)
MTBF	7 Years
Warranty	0=10 V, PWM, Resistance
Dim Input (0-100%)	

Code	Output Current	Output Power	Input Current	Efficiency	Size (l x w x h)	Weight
PPDS12100	4.16A	100W	0.7A/200-240VAC	≥90%	258x35x20mm	0,40kg
PPDS24100	2.08A	100W	0.7A/200-240VAC	≥90%	258x35x20mm	0,40kg

SPECIFICATIONS MANUAL EXTERNAL DIMMING OPTION

Input/Output Voltage	12V – 24V
Working temperature range	0°C~+45°C
Output Current Max Range	8 A
IP Rating	IP20
Warranty	3 Years
Diming Method (0-100%)	PWM

Code	Output Current	Output Power 12 V	Output Power 24 V
DIM-PS	8 A	96 W	192 W



Important:

- Luceco recommends loading power supplies up to 90% of their maximum listed capacity.
- Select a power supply for your installation loaded at more than 50% of its maximum load to meet Power Factor regulations.
- Install with adequate ventilation and not in direct sunlight.
- Power supplies to be installed by trained and certified staff.

SPECIFICATIONS RF RGB(W) & DIM CONTROL OPTIONS

Input/Output Voltage	12V – 24V
Working temperature range	-30°C~+55°C
IP Rating	IP20
Warranty	5 Years
Diming method (0-100%)	PWM

Code	Output	Output Current	Output Power 12 V	Output Power 24 V
LTECH-M3/M3-3A	RGB	3x3 A	108 W	216 W
LTECH-M6/M3-3A	RGB	3x3 A	108 W	216 W
LTECH-M4/M4-5A	RGBW	4x5 A	144 W	288 W
LTECH-M8/M4-5A	RGBW	4x5 A	144 W	288 W
LTECH-M1/M3-3A	MONO	3x3 A	108 W	216 W



SPECIFICATIONS DMX RGBW & DIM CONTROL OPTIONS

Input/Output Voltage	12V – 24V
Working temperature range	-30°C~+55°C
IP Rating	IP20
Warranty	5 Years
Diming method (0-100%)	PWM

Code	Output		Input	Output Current	OutputPower 12 V	Output Power 24 V
LTECH-LT-820-5A	RGBW	Controller	DMX	4x5 A	240 W	480 W
LTECH-LT-851-6A	RGBW	Controller	DMX	3x6 A	216 W	432 W
LTECH-LT-811-12A	MONO	Controller	DMX	1x12A	144 W	288 W
LTECH-EX1S	DMX	Touch Panel	Manual			
LTECH-EX4S	DMX	Touch Panel	Manual			
LTECH-UX8	DMX	Touch Panel 4 Zones	Manual/WIFI/RF			
LTECH-LM-150-12-G1M2	12 V	Power Supply	DMX	12.5 A	150 W	-
LTECH-LM-150-24-G1M2	24 V	Power Supply	DMX	6.25 A	-	150 W
LC-DMX-4CH-WP	RGBW	IP67 Controller	DMX	4x5 A	240W	480W
LC-DMX-4CH	RGBW	Controller	DMX	4x8 A	384W	768W



SPECIFICATIONS WIFI RGBW CONTROL OPTIONS

Input/Output Voltage	12V – 24V
Working temperature range	-30°C~+55°C
IP Rating	IP20
Warranty	5 Years
Diming method (0-100%)	PWM

Code	Output		Input	Output Current	Output Power 12 V	Output Power 24 V
LTECH-WIFI-101	DMX	Controller	WIFI (APP)			
LTECH-WIFI-104	RGBW	Controller	RF/WIFI	4x4 A	192 W	384 W
LTECH-WIFI-106	RGBW	Controller	RF/WIFI	4x4 A	192 W	384 W
LTECH-F4-5A	RGBW	Receiver	RF (WIFI-106/F1/F4)	4x5 A	240 W	480 W
LTECH-R4-5A	RGBW	Receiver	RF (WIFI-104)	4x5 A	240 W	480 W
LTECH-EBOX-DMX	DMX	Bridge	RF (WIFI-106)			
LTECH-V3	RF	Remote				
LTECH-F1 DIM	RF	Remote				
LTECH-F4 RGBW	RF	Remote				
LTECH-Q4 RGBW	RF	Remote				
LC-RF-4CH-WP	RGBW	IP67 Controller	RF	4x5 A	240 W	480 W
LC-RF-REMOTE	RF	Remote				



SPECIFICATIONS 4 IN 1 CONTROL OPTIONS

Input/Output Voltage	12V – 24V
Working temperature range	-30°C~+55°C
IP Rating	IP20
Warranty	5 Years
Diming method (0-100%)	PWM

Code	Output		Input	Output Current	Output Power 12 V	Output Power 24 V	Output Power 48 V
LC-DIM-4IN1	MONO	4 in 1 Controller	0-10V/DALI-2 / Push / Phase Cut	2x10A (20A)	240 W	480 W	960 W



SPECIFICATIONS 1-10V CONTROL OPTIONS

Input/Output Voltage	12V – 24V
Working temperature range	-30°C~+55°C
IP Rating	IP20
Warranty	5 Years
Diming method (0-100%)	PWM

Code	Output		Output Current	Output Power 12 V	Output Power 24 V
LTECH-E610	1-10 V	Knob Panel	-	-	-
LTECH-LT-701-6A	MONO	Dimmer	1x6 A	72 W	144 W
LTECH-LT-701-12A	MONO	Dimmer	1x12A	144 W	288 W
LTECH-LM-75-12-G1A2	12 V	Power Supply	6.25 A	75 W	-
LTECH-LM-150-12-G1A2	12 V	Power Supply	12.5 A	150	-



SPECIFICATIONS DALI CONTROL OPTIONS

Input/Output Voltage	12V – 24V
Working temperature range	-30°C~+55°C
IP Rating	IP20
Warranty	5 Years
Diming method (0-100%)	PWM

Code	Output		Input	Output Current	Output Power 12 V	Output Power 24 V
LTECH-LT-401-12A	MONO	Controller	DALI	1x12A	144 W	288 W
LTECH-LT-411-12A	MONO	Controller DIN rail	DALI	1x12A	144 W	288 W
LTECH-LM-150-24-G1D2	24 V	Power Supply	DALI	12.5 A	-	150 W
LTECH-LM-75-12-G1D2	12 V	Power Supply	DALI	6.25 A	75 W	-
LTECH-LM-75-24-G1D2	24 V	Power Supply	DALi	6.25 A	-	75 W





LUCOLED

Experience Lighting

LUCOLED NV

Industriepark 32b
3290 Diest
Belgium

www.lucoled.com

P: +32 (0) 13292829
E: info@lucoled.com

LUCOLED NV

Rotterdamseweg 388F
2629 HG Delft
The Netherlands

P: +31 (0) 153649186
E: info@lucoled.com