

LED SIGNAGE SOLUTIONS



LUCOLED

Experience Lighting

August 2024

LUCOLED

BACK LIGHTING

EXTREME

XR20/24/28	04
------------	----

PREMIUM

PV10	06
------	----

PV20/PV24	08
-----------	----

PV30	10
------	----

PV44	12
------	----

VALUE

VR10	14
------	----

VR20	16
------	----

VR30	18
------	----

VR40	20
------	----

PLUS

BL11	22
------	----

BL15	24
------	----

BL16	26
------	----

BL17	28
------	----

BL20	30
------	----

BL31	32
------	----

BL36 RGBW	34
-----------	----

BL37 RGBDC	36
------------	----

BL72	38
------	----

BLI	40
-----	----

BLE	42
-----	----

DS80/OS80	44
-----------	----

EDGE LIGHTING

EL10	46
------	----

EL31	48
------	----

EL37	50
------	----

POWER SUPPLIES AND CONTROLS

POWER SUPPLIES AND CONTROLS	52
-----------------------------	----

EPREL ENERGY EFFICIENCY LABELLING

EPREL Energy efficiency class	59
-------------------------------	----



LUCOLED

Experience Lighting

LUCOLED: NOT JUST ANOTHER LED COMPANY

PAY FOR PERFORMANCE

At LucoLED we operate at the simple principle that the customer should only pay for product performance and not for the overhead and excessive margins most major brands add to their cost.

It is LucoLED's mission to provide fit for purpose, reliable and efficient lighting solutions for visual communication and brand identity.

EXPERIENCE

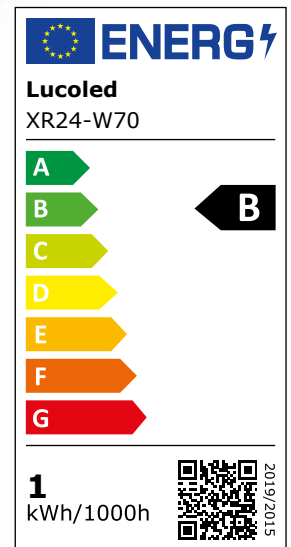
LucoLED is based on over 20 years of experience in the signage industry and has developed an in depth knowledge of the basic needs of the market. Backed by industry leading design and production facilities LucoLED provides high quality products with exceptional performance and warranties.

LucoLED's ODM production uses state of the art equipment and has extensive R&D facilities. Besides a range of standard products LucoLED can also offer tailor made solutions with minimum lead time.

COMPLETE SOLUTION

LucoLED offers a complete system solution for letters, light boxes, flexible and linear accents. Including their own full range power supplies. LucoLED offers a system warranty of up to 7 years and extended warranties of up to 2 years as we believe in our products.

Although LucoLED is a new name in the market, the management behind the company has a proven track record of quality and reliability.



LUCOLED XR SERIES

- *Most energy efficient LED module on the market: up to 197 lumen per Watt*
- *Advanced Helios Ultra Flat Beam lens technology*
- *Constant Current Technology*
- *Narrow white binning*
- *24 Volt for longer module chains*
- *Sign Life Warranty, 4 years extended labour coverage included.*

Lucoled Extreme XR modules offer a high quality and the most efficient backlit solution for lightboxes and channel letters between 40 mm and 300 mm deep.

Using the most efficient LED technology available and Helios flat beam optics Lucoled Extreme series offers industry leading efficacy and coverage. This not only reduces the amount of modules needed for an application, but also the overall power consumption, reducing the total cost of ownership of a project.

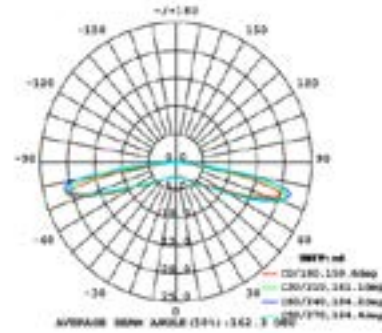
Lucoled Extreme series offers a 4 years extended warranty as part on the Sign Life Warranty, making it the optimum choice for your high valued projects and critical installations. Your warranty exposure is reduced to a minimum.

SPECIFICATIONS

- Dimensions 58x17x8.3 mm
- Sign Life Warranty (first 2 years extended)
- Beam angle: 175°
- Can be cut between every unit
- UL, CE and RoHS compliant
- Narrow white binning, SDMC 3
- 24 V DC Constant Current Technology
- Operating temperature -40°~+60°C

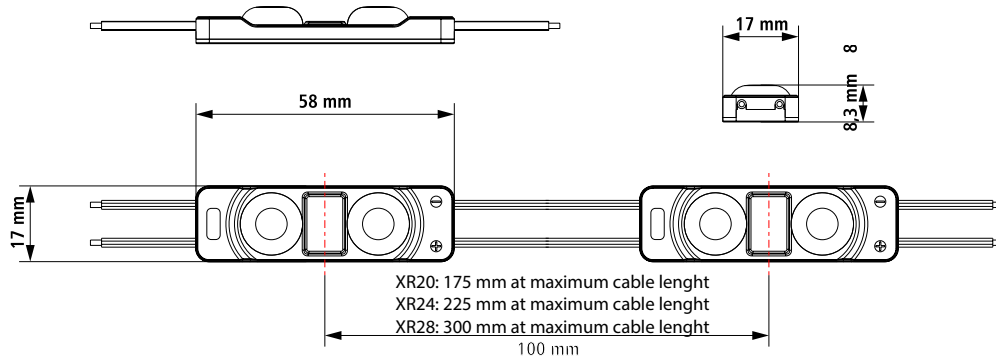


LUMINOUS INTENSITY DISTRIBUTION

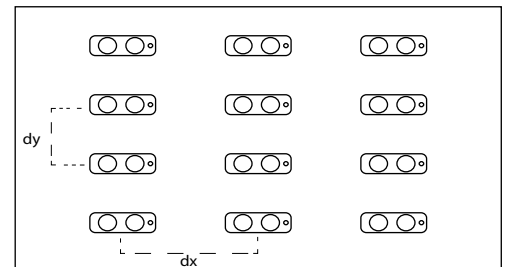


Item no	LED colour	CT (K)/nm	CRI	Power (W/mod)	Flux (lm/mod)	Efficacy (lm/W)	Voltage (DC)	Modules per chain	Energy Class
XR20-W70	white	7000	>74	0.35	65	186	24	100	B
XR24-W30	white	3000	>74	0.72	133	184	24	60	B
XR24-W40	white	4000	>74	0.73	144	197	24	60	B
XR24-W50	white	5000	>74	0.71	137	193	24	60	B
XR24-W70	white	7000	>74	0.67	126	188	24	60	B
XR28-W70	white	7000	>74	1.02	187	183	24	45	C
XR28-W40	white	4000	>74	1.00	192	193	24	45	B

DIMENSIONS



Light box depth (mm)	Module	Space between modules (mm)	Installing density (pcs/m ²)	Wattage per m ² (W)
dz=40	XR20	dx=95, dy=95	100	35.0
dz=60	XR20	dx=110, dy=110	80	28.0
dz=60	XR24	dx=125, dy=125	64	42.9
dz=80	XR24	dx=160, dy=160	36	24.1
dz=100	XR24	dx=225, dy=165	27	18.1
dz=100	XR28	dx=200, dy=200	25	25.5
dz=120	XR28	dx=220, dy=220	20	20.4
dz=140	XR28	dx=250, dy=250	16	16.3
dz=180	XR28	dx=300, dy=240	14	14.3



Results may vary depending on face material properties. The data above was obtained using 3mm thick opaque acrylic with a 54% light transmittance. Lucoled advises to paint the inside of the box/letters in a matt white colour for achieving an optimal result. Always test before production.

POWER SUPPLY CAPACITY 24V SERIES

Item	xx2430	xx2460	xx24100	xx24150	VP24240	VP24400
Power Output	30W	60W	100W	150W	240W	400W
XR20 modules / power supply (Maximum 100 XR20 modules per chain)	77	154	257	385	617	1028
XR24 modules / power supply (Maximum 60 XR24 modules per chain)	40	76	134	201	300	500
XR28 modules / power supply (Maximum 45 XR28 modules per chain)	26	52	88	132	211	352

PACKAGING

Item	Qty (pcs/bag)	Qty (bag / carton)	Total Qty (pcs / carton)	Total weight (kg)	Carton size (LxWxH) in mm
XR20	100	12	1200	16.0	528 x 376 x 272
XR24	60	20	1200	16.0	528 x 376 x 272
XR28	45	24	1080	17.8	528 x 376 x 272



LUCOLED PV10



- *5 years warranty*
First 2 years extended warranty
- *Lucolense prismatic angle technology*
- *Highest efficacy*
- *Constant Current Technology*
- *Narrow white binning*

Lucoled Premium Value PV10 modules offer a high quality and efficient backlit solution for lightboxes and channel letters between 40 and 100mm deep.

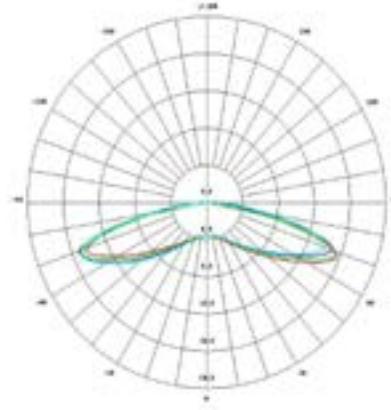
Using the latest high efficient LED technology and high quality optics Lucoled Premium Value series offers industry leading efficacy and coverage. This not only reduces the amount of modules needed for an application, but also the overall power consumption, reducing the total cost of ownership of a project.

Lucoled Premium Value series offers a 2 years extended warranty, making it the optimum choice for your high valued projects and critical installations. Your warranty exposure is reduced to a minimum.

SPECIFICATIONS

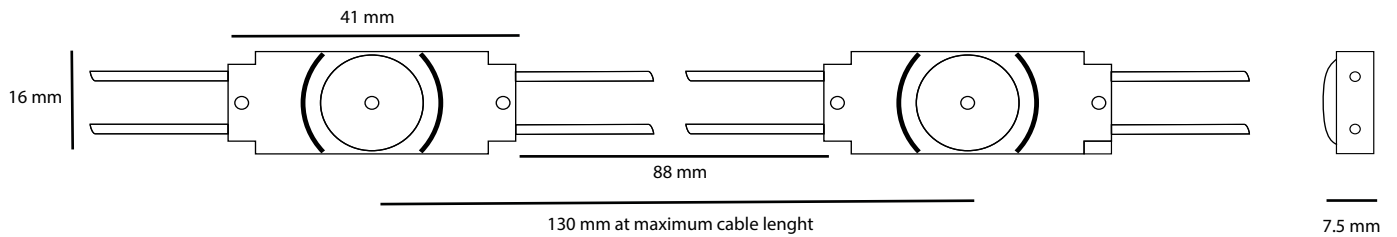
- Dimensions 41x16x7.5mm
- Warranty 5 years (first 2 years extended)
- Beam angle: 170°
- Can be cut between every unit
- EL, CE and RoHS compliant
- Narrow white binning
- Constant Current Technology
- Operating temperature -25~+60°C

LUMINOUS INTENSITY DISTRIBUTION



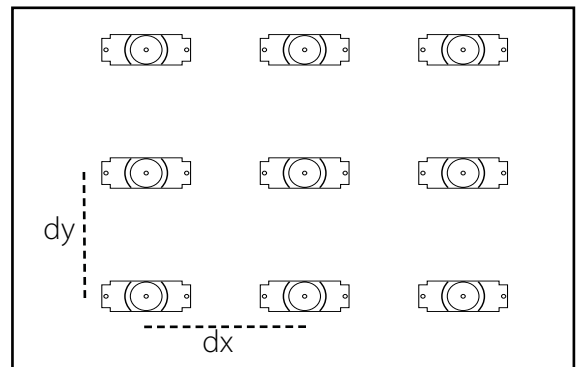
Item no	LED colour	CT (K)/nm	CRI	Power (W/mod)	Flux (lm/mod)	Efficacy (lm/W)	Voltage (DC)	Modules per chain	Modules per carton
PV10-W30	white	3000	>75	0.30	45	152	12	50	1800
PV10-W40	white	4000	>75	0.30	49	161	12	50	1800
PV10-W50	white	5000	>75	0.30	49	160	12	50	1800
PV10-W65	white	6500	>75	0.29	48	165	12	50	1800
PV10-W71	white	7100	>75	0.29	46	158	12	50	1800
PV10-R	red	600-625nm		0.30	9	30	12	50	1800

DIMENSIONS



Light box depth (mm)	Space between modules (mm)	Installing density (pcs/m ²)	Surface luminance range (cd/m ²)
dz=60	dx=90, dy=90	100	1580-1740
dz=80	dx=120, dy=120	64	895-1160
dz=100	dx=130, dy=130	49	740-840
dz=120	dx=130, dy=140	49	580-680

Results may vary depending on face material properties. The data above was obtained using 3mm thick opaque acrylic with a 54% light transmittance. Lucoled advises to paint the inside of the box/ letters in a matt white colour for achieving an optimal result. Always test before production.



POWER SUPPLY CAPACITY 12V SERIES

Item	xx1230	xx1260	xx12100	xx12150	VP12240	VP12400
Power Output	30W	60W	100W	150W	240W	400W
PV10 modules / power supply	93	186	310	465	745	1090
Maximum 50 modules per chain						

PACKAGING

Item	Qty (pcs/bag)	Qty (bag / carton)	Total Qty (pcs / carton)	Total weight (kg)	Carton size (LxWxH) in mm
PV10	50	36	1800	16,6	528 x 376 x 272



Cartier

LUCOLED PV20/PV24



- *5 years warranty*
First 2 years extended warranty
- *Lucolense prismatic angle technology*
- *Highest efficacy*
- *Constant Current Technology*
- *Narrow white binning*

Lucoled Premium Value PV20 and PV24 modules offer a high quality and efficient backlit solution for lightboxes and channel letters between 60 and 100mm deep.

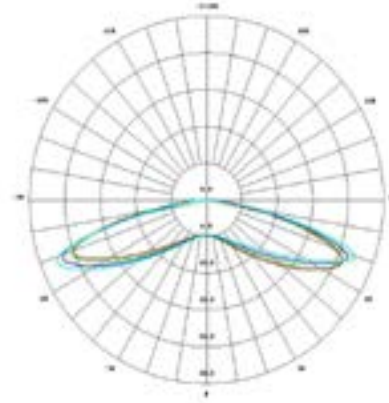
Using the latest high efficient LED technology and high quality optics Lucoled Premium Value series offers industry leading efficacy and coverage. This not only reduces the amount of modules needed for an application, but also the overall power consumption, reducing the total cost of ownership of a project.

Lucoled Premium Value series offers a 2 years extended warranty, making it the optimum choice for your high valued projects and critical installations. Your warranty exposure is reduced to a minimum.

SPECIFICATIONS

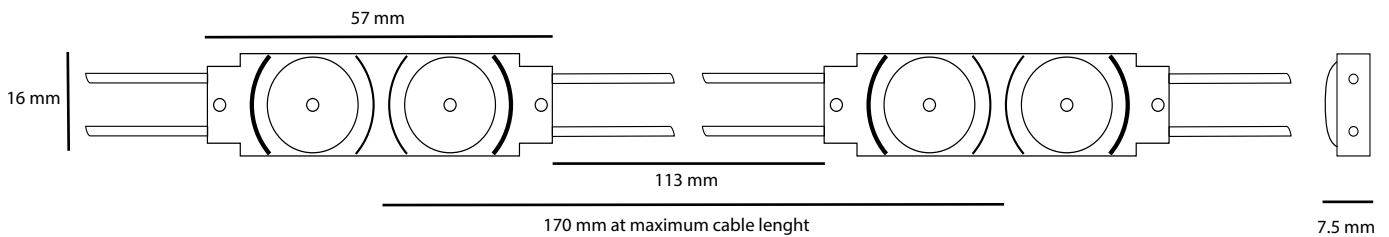
- Dimensions 57x16x7.5mm
- Warranty 5 years (first 2 years extended)
- Beam angle: 170°
- Can be cut between every unit
- EL, CE and RoHS compliant
- Narrow white binning
- Constant Current Technology
- Operating temperature -25~+60°C

LUMINOUS INTENSITY DISTRIBUTION



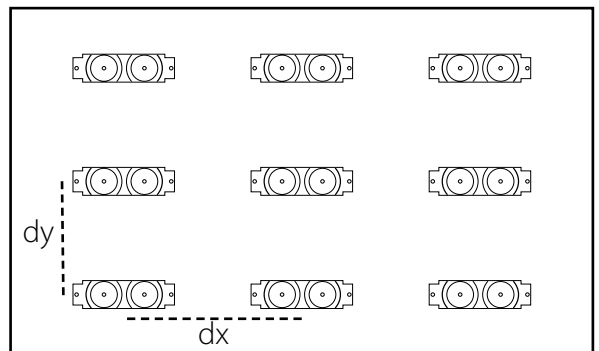
Item no	LED colour	CT (K)	CRI	Power (W/mod)	Flux (lm/mod)	Efficacy (lm/W)	Voltage (DC)	Modules per chain	Modules per carton
PV20-W30	white	3000	>75	0.71	99	139	12	40	1200
PV20-W40	white	4000	>75	0.72	114	158	12	40	1200
PV20-W50	white	5000	>75	0.72	113	157	12	40	1200
PV20-W65	white	6500	>75	0.70	113	161	12	40	1200
PV20-W71	white	7100	>75	0.74	110	148	12	40	1200
PV20-R	red	600-625nm		0.72	22	31	12	40	1200
PV24-W65	white	6500	>75	0.71	110	155	24	40	1200

DIMENSIONS



Light box depth (mm)	Space between modules (mm)	Installing density (pcs/m ²)	Surface luminance range (cd/m ²)
dz=60	dx=130, dy=100	72	2130-2450
dz=80	dx=150, dy=150	43	1200-1560
dz=100	dx=170, dy=160	36	990-1140
dz=120	dx=170, dy=170	25	880-990

Results may vary depending on face material properties. The data above was obtained using 3mm thick opaque acrylic with a 54% light transmittance. Lucoled advises to paint the inside of the box/ letters in a matt white colour for achieving an optimal result. Always test before production.



POWER SUPPLY CAPACITY 12V SERIES

Item	xx1230	xx1260	xx12100	xx12150	VP12240	VP12400
Power Output	30W	60W	100W	150W	240W	400W
PV20 modules / power supply	38	75	125	188	309	514
Maximum 40 modules per chain						

POWER SUPPLY CAPACITY 24V SERIES

Item	xx2430	xx2460	xx24100	xx24150	VP24240	VP24400
Power Output	30W	60W	100W	150W	240W	400W
PV24 modules / power supply	38	75	125	188	309	514
Maximum 80 modules per chain						

PACKAGING

Item	Qty (pcs/bag)	Qty (bag / carton)	Total Qty (pcs / carton)	Total weight (kg)	Carton size (LxWxH) in mm
PV20/PV24	40	30	1200	15.2	528 x 376 x 272

The image shows the Adidas logo in a store setting. The logo is illuminated in white against a dark background. Above the logo, the word 'adidas' is written in a smaller, blue, mirrored font. The background features blue diagonal stripes and a view of a store interior with shelves and lighting.

adidas

LUCOLED PV30



- *5 years warranty*
First 2 years extended warranty
- *Lucolense prismatic angle technology*
- *Highest efficacy*
- *Constant Current Technology*
- *Narrow white binning*

Lucoled Premium Value PV30 modules offer a high quality and efficient backlit solution for lightboxes and channel letters between 80 and 120mm deep.

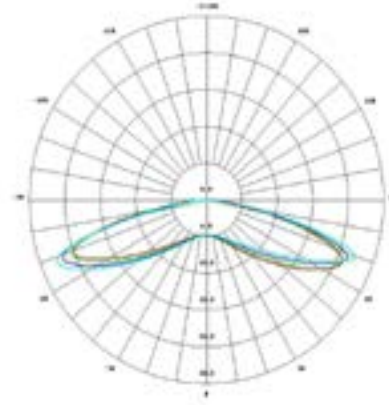
Using the latest high efficient LED technology and high quality optics Lucoled Premium Value series offers industry leading efficacy and coverage. This not only reduces the amount of modules needed for an application, but also the overall power consumption, reducing the total cost of ownership of a project.

Lucoled Premium Value series offers a 2 years extended warranty, making it the optimum choice for your high valued projects and critical installations. Your warranty exposure is reduced to a minimum.

SPECIFICATIONS

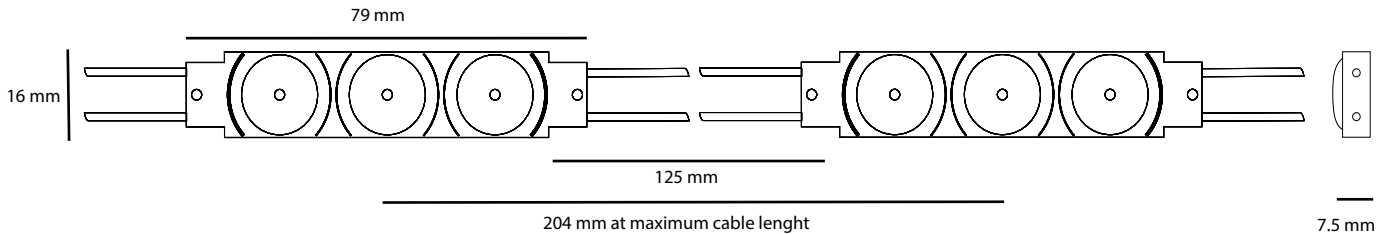
- Dimensions 79x16x7.5mm
- Warranty 5 years (first 2 years extended)
- Beam angle: 170°
- Can be cut between every unit
- EL, CE and RoHS compliant
- Narrow white binning
- Constant Current Technology
- Operating temperature -25~+60°C

LUMINOUS INTENSITY DISTRIBUTION

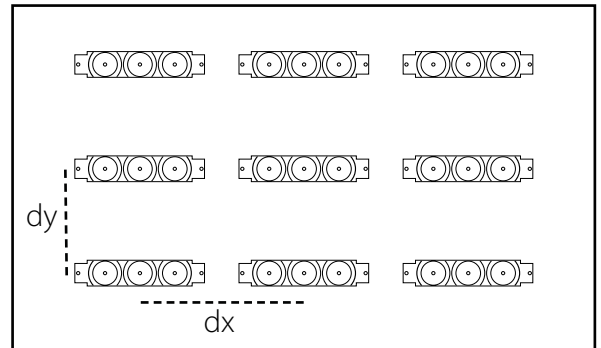


Item no	LED colour	CT (K)	CRI	Power (W/mod)	Flux (lm/mod)	Efficacy (lm/W)	Voltage (DC)	Modules per chain	Modules per carton
PV30-W65	white	6500	>75	1.0	160	160	12	30	900

DIMENSIONS



Light box depth (mm)	Space between modules (mm)	Installing density (pcs/m ²)	Surface luminance range (cd/m ²)
dz=80	dx=160, dy=140	42	1920-2340
dz=100	dx=190, dy=160	28	1450-1560
dz=120	dx=200, dy=170	23	1140-1350



Results may vary depending on face material properties. The data above was obtained using 3mm thick opaque acrylic with a 54% light transmittance. Lucoled advises to paint the inside of the box/ letters in a matt white colour for achieving an optimal result. Always test before production.

POWER SUPPLY CAPACITY 12V SERIES

Item	xx1230	xx1260	xx12100	xx12150	VP12240	VP12400
Power Output	30W	60W	100W	150W	240W	400W
PV30 modules / power supply	27	54	90	135	216	360
maximum 30 modules per chain						

PACKAGING

Item	Qty (pcs/bag)	Qty (bag / carton)	Total Qty (pcs / carton)	Total weight (kg)	Carton size (LxWxH) in mm
PV30	30	30	900	15.5	528 x 376 x 272



LUCOLED PV44



- *5 years warranty*
First 2 years extended warranty
- *Lucolense prismatic angle technology*
- *Highest efficacy*
- *Constant Current Technology*
- *Narrow white binning*

Lucoled Premium Value PV44 modules offer a high quality and efficient backlit solution for lightboxes and channel letters between 80 and 140mm deep.

Using the latest high efficient LED technology and high quality optics Lucoled Premium Value series offers industry leading efficacy and coverage. This not only reduces the amount of modules needed for an application, but also the overall power consumption, reducing the total cost of ownership of a project.

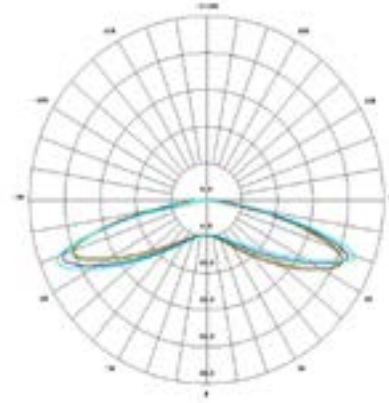
Lucoled Premium Value series offers a 2 years extended warranty, making it the optimum choice for your high valued projects and critical installations. Your warranty exposure is reduced to a minimum.

SPECIFICATIONS

- Dimensions 49x39x7.5mm
- Warranty 5 years (first 2 years extended)
- Beam angle: 170°
- Can be cut between every unit
- EL, CE and RoHS compliant
- Narrow white binning
- Constant Current Technology
- Operating temperature -25~+60°C

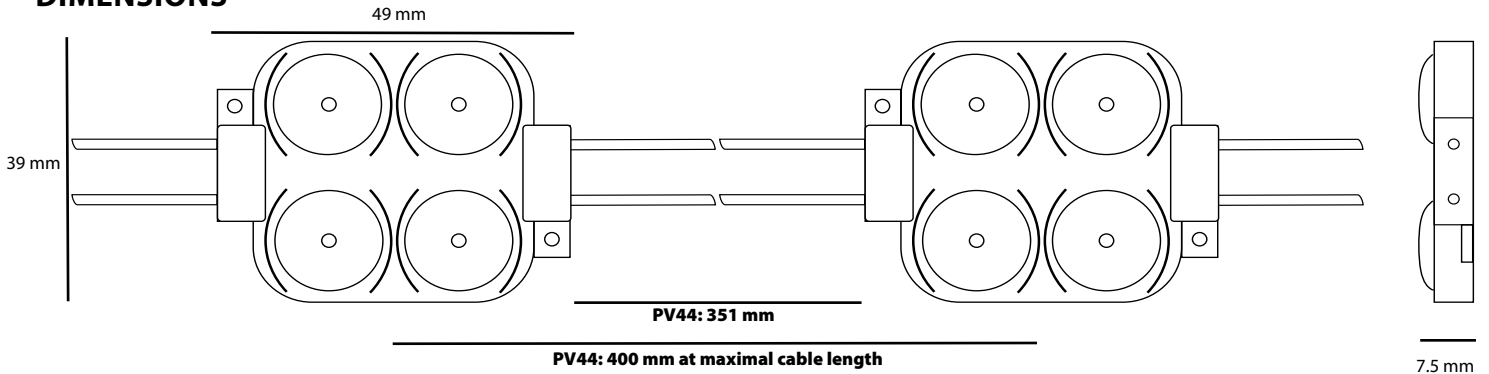


LUMINOUS INTENSITY DISTRIBUTION



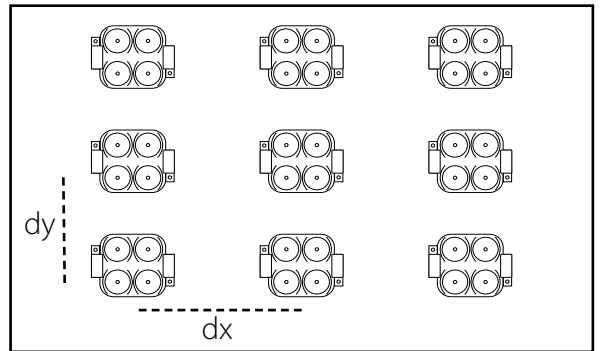
Item no	LED colour	CT (K)	CRI	Power (W/mod)	Flux (lm/mod)	Efficacy (lm/W)	Voltage (DC)	Modules per chain	Modules per carton
PV44-W65	white	6500	>75	1.46	224	154	24	55	550
PV44-W50	white	5000	>75	1.46	224	154	24	55	550

DIMENSIONS



Light box depth (mm)	Space between modules (mm)	Installing density (pcs/m ²)	Surface luminance range (cd/m ²)
dz=120	dx=325, dy=325	16	1100-1350
dz=150	dx=350, dy=350	9	650-800
dz=200	dx=400, dy=400	4	300-450

Results may vary depending on face material properties. The data above was obtained using 3mm thick opaque acrylic with a 54% light transmittance. Lucoled advises to paint the inside of the box/ letters in a matt white colour for achieving an optimal result. Always test before production.



POWER SUPPLY CAPACITY 24V SERIES

Item	xx2430	xx2460	xx24100	xx24150	VP24240	VP24400
Power Output	30W	60W	100W	150W	240W	400W
PV44 modules / power supply	18	38	63	94	148	246
Maximum 55 modules per chain						

PACKAGING

Item	Qty (pcs/bag)	Qty (bag / carton)	Total Qty (pcs / carton)	Total weight (kg)	Carton size (LxWxH) in mm
PV44	55	10	550	12,0	528 x 376 x 272

A photograph of a Jack & Jones store sign. The sign features the brand name 'JACK & JONES' in large, white, illuminated letters with a registered trademark symbol. Below it, the word 'FOOTWEAR' is displayed in smaller, dark letters. The sign is mounted on a dark, grid-patterned metal structure.

JACK & JONES®

FOOTWEAR

LUCOLED VR10



- *5 years warranty*
- *Lucolense wide angle technology*
- *Medium efficacy*
- *Constant Current Technology*
- *Narrow white binning*

Lucoled Value Range VR10 modules offer a high quality and efficient backlit solution for lightboxes and channel letters between 80 and 120mm deep.

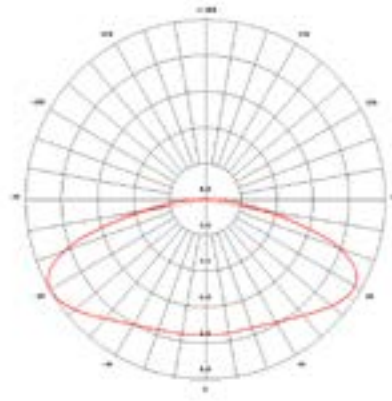
Lucoled VR series use medium efficiency LED's, optics and high quality components, resulting in a reliable, efficient, fit-for-purpose, solution for your every-day sign projects.

Lucoled VR series offer an excellent price-performance ratio and a 5 year warranty.

SPECIFICATIONS

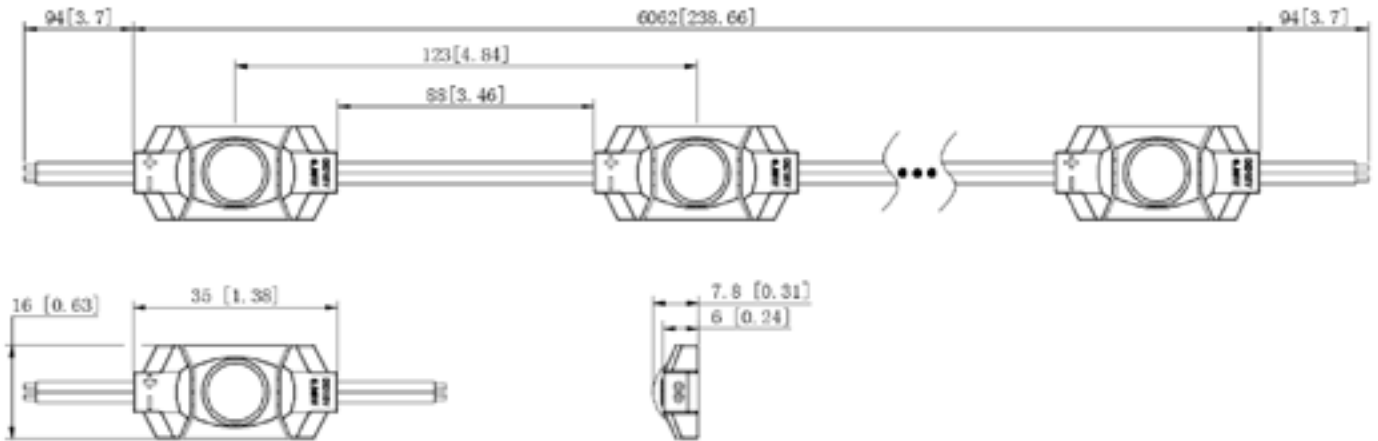
- Dimensions 35x16x7.8mm
- Warranty 5 years
- Beam angle: 160°
- Can be cut between every unit
- EL, CE and RoHS compliant
- Narrow white binning
- Constant Current Technology
- Operating temperature -25~+60°C

LUMINOUS INTENSITY DISTRIBUTION

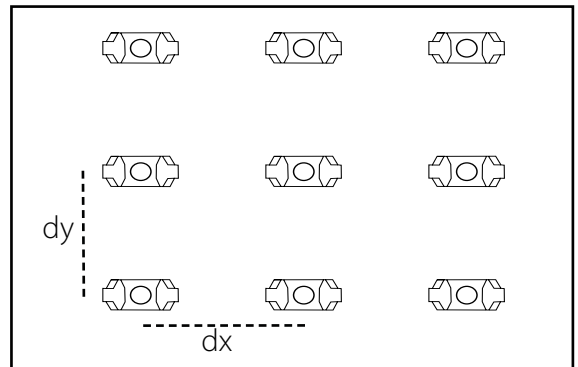


Item no	LED colour	CT (K)	CRI	Power (W/mod)	Flux (lm/mod)	Efficacy (lm/W)	Voltage (DC)	Modules per chain	Modules per carton
VR10-W65	white	6500	>75	0.36	44	122	12	50	2000

DIMENSIONS



Light box depth (mm)	Space between modules (mm)	Installing density (pcs/m ²)	Surface luminance range (cd/m ²)
dz=80	dx=85, dy=85	121	1140-1350
dz=100	dx=95, dy=120	80	830-880
dz=120	dx=105, dy=140	63	670-720



Results may vary depending on face material properties. The data above was obtained using 3mm thick opaque acrylic with a 54% light transmittance. Lucoled advises to paint the inside of the box/ letters in a matt white colour for achieving an optimal result. Always test before production.

POWER SUPPLY CAPACITY 12V SERIES

Item	xx1230	xx1260	xx12100	xx12150	VP12240	VP12400
Power Output	30W	60W	100W	150W	240W	400W
VR10 modules / power supply	75	150	250	375	600	1000
Maximum 50 modules per chain						

PACKAGING

Item	Qty (pcs/bag)	Qty (bag / carton)	Total Qty (pcs / carton)	Total weight (kg)	Carton size (LxWxH) in mm
VR10	50	40	2000	12.7	528 x 376 x 272

Paprika

LUCOLED VR20



- *5 years warranty*
- *Lucolense wide angle technology*
- *Medium efficacy*
- *Constant Current Technology*
- *Narrow white binning*

Lucoled Value Range VR20 modules offer a high quality and efficient backlit solution for lightboxes and channel letters between 80 and 120mm deep.

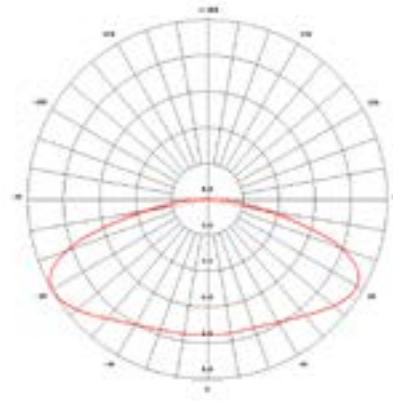
Lucoled VR series use medium efficiency LED's, optics and high quality components, resulting in a reliable, efficient, fit-for-purpose, solution for your every-day sign projects.

Lucoled VR series offer an excellent price-performance ratio and a 5 year warranty.

SPECIFICATIONS

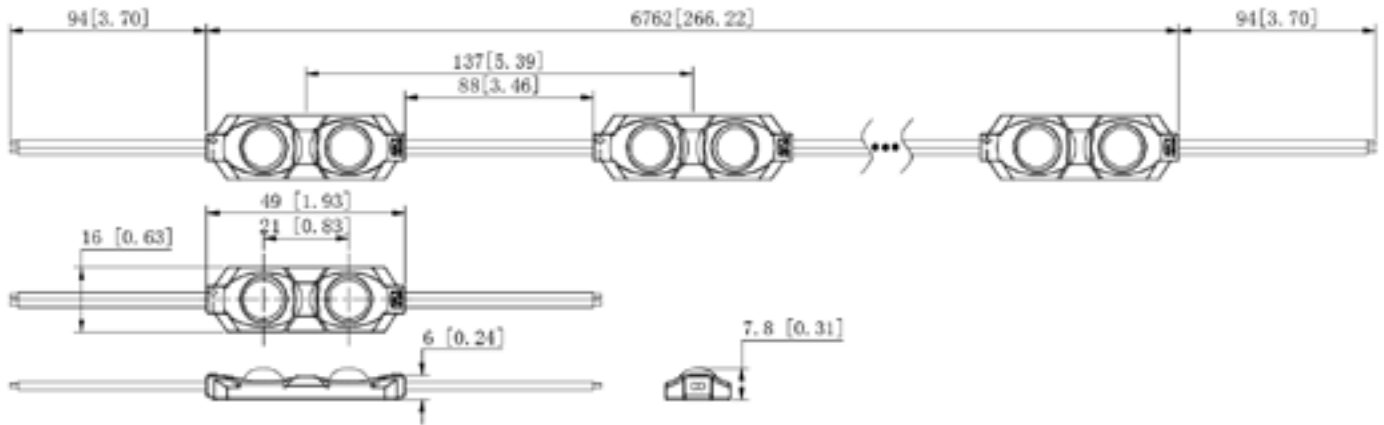
- Dimensions 49x16x7.8mm
- Warranty 5 years
- Beam angle: 160°
- Can be cut between every unit
- EL, CE and RoHS compliant
- Narrow white binning
- Constant Current Technology
- Operating temperature -25~+60°C

LUMINOUS INTENSITY DISTRIBUTION

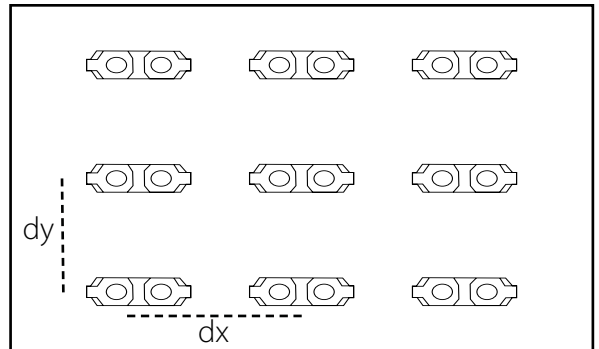


Item no	LED colour	CT (K)	CRI	Power (W/mod)	Flux (lm/mod)	Efficacy (lm/W)	Voltage (DC)	Modules per chain	Modules per carton
VR20-W65	white	6500	>75	0.72	93	129	12	50	1400

DIMENSIONS



Light box depth (mm)	Space between modules (mm)	Installing density (pcs/m ²)	Surface luminance range (cd/m ²)
dz=80	dx=110, dy=90	99	1760-1975
dz=100	dx=135, dy=110	63	1450-1560
dz=120	dx=135, dy=135	49	1195-1350



Results may vary depending on face material properties. The data above was obtained using 3mm thick opaque acrylic with a 54% light transmittance. Lucoled advises to paint the inside of the box/ letters in a matt white colour for achieving an optimal result. Always test before production.

POWER SUPPLY CAPACITY 12V SERIES

Item	xx1230	xx1260	xx12100	xx12150	VP12240	VP12400
Power Output	30W	60W	100W	150W	240W	400W
VR20 modules / power supply	38	75	125	188	300	500
Maximum 40 modules per chain						

PACKAGING

Item	Qty (pcs/bag)	Qty (bag / carton)	Total Qty (pcs / carton)	Total weight (kg)	Carton size (LxWxH) in mm
VR20	50	28	1400	11.5	528 x 376 x 272



Domino's

LUCOLED VR30



- *5 years warranty*
- *Lucolense wide angle technology*
- *Medium efficacy*
- *Constant Current Technology*
- *Narrow white binning*

Lucoled Value Range VR30 modules offer a high quality and efficient backlit solution for lightboxes and channel letters between 80 and 120mm deep.

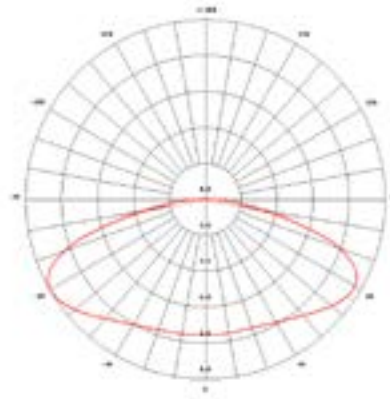
Lucoled VR series use medium efficiency LED's, optics and high quality components, resulting in a reliable, efficient, fit-for-purpose, solution for your every-day sign projects.

Lucoled VR series offer an excellent price-performance ratio and a 5 year warranty.

SPECIFICATIONS

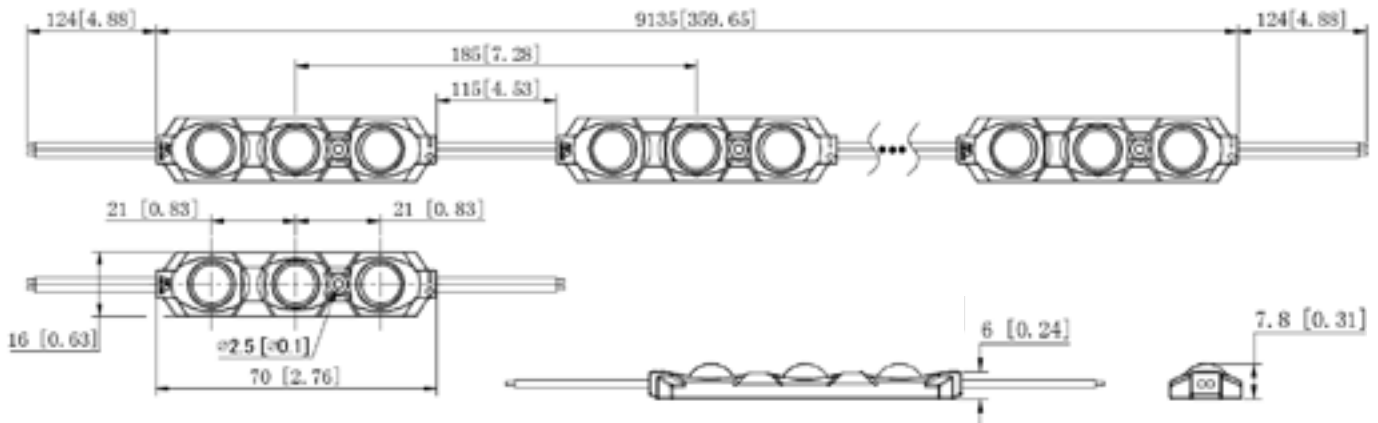
- Dimensions 70x16x7.8mm
- Warranty 5 years
- Beam angle: 160°
- Can be cut between every unit
- EL, CE and RoHS compliant
- Narrow white binning
- Constant Current Technology
- Operating temperature -25~+60°C

LUMINOUS INTENSITY DISTRIBUTION

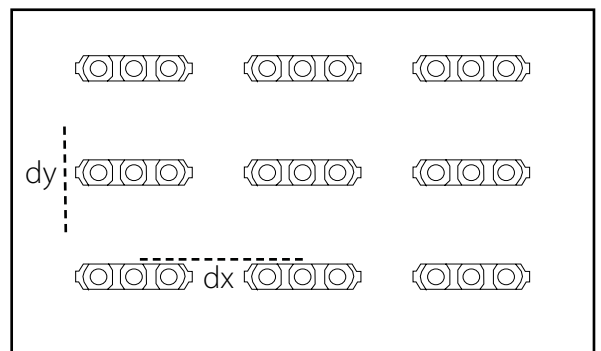


Item no	LED colour	CT (K) or nm	CRI	Power (W/mod)	Flux (lm/mod)	Efficacy (lm/W)	Voltage (DC)	Modules per chain	Modules per carton
VR30-W65	white	6500	>75	1.0	128	128	12	50	1200
VR30-R	red	620-625nm	-	0.72	27	38	12	50	1200
VR30-G	green	525-530nm	-	0.72	53	74	12	50	1200
VR30-B	blue	465-470nm	-	0.72	10	14	12	50	1200
VR30-Y	yellow	585-590nm	-	0.72	23	32	12	50	1200
VR30-O	orange	605-610nm	-	0.72	27	38	12	50	1200

DIMENSIONS



Light box depth (mm)	Space between modules (mm)	Installing density (pcs/m ²)	Surface luminance range (cd/m ²)
dz=80	dx=100, dy=90	90	2440-2900
dz=100	dx=130, dy=120	56	1760-2080
dz=120	dx=185, dy=140	35	1190-1400



Results may vary depending on face material properties. The data above was obtained using 3mm thick opaque acrylic with a 54% light transmittance. Lucoled advises to paint the inside of the box/ letters in a matt white colour for achieving an optimal result. Always test before production.

POWER SUPPLY CAPACITY 12V SERIES

Item	xx1230	xx1260	xx12100	xx12150	VP12240	VP12400
Power Output	30W	60W	100W	150W	240W	400W
VR30-W65 modules per power supply	27	54	90	135	216	360
VR30-R/G/B/Y modules per power supply	37	75	125	187	300	500
Maximum 30 modules per chain						

PACKAGING

Item	Qty (pcs/bag)	Qty (bag / carton)	Total Qty (pcs / carton)	Total weight (kg)	Carton size (LxWxH) in mm
VR30	50	24	1200	14.5	528 x 376 x 272



SANA METROPOLITAN HOTEL

LUCOLED VR40



- *5 years warranty*
- *Lucolense wide angle technology*
- *Medium efficacy*
- *Constant Current Technology*
- *Narrow white binning*

Lucoled Value Range VR40 modules offer a high quality and efficient backlit solution for lightboxes and channel letters between 80 and 120mm deep.

Lucoled VR series use medium efficiency LED's, optics and high quality components, resulting in a reliable, efficient, fit-for-purpose, solution for your every-day sign projects.

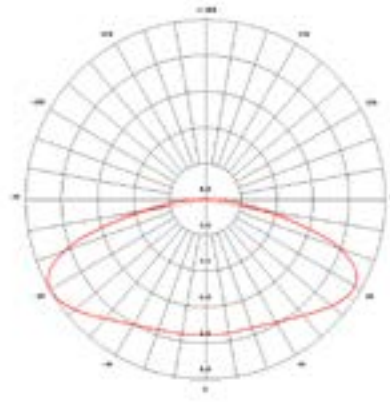
Lucoled VR series offer an excellent price-performance ratio and a 5 year warranty.

SPECIFICATIONS

- Dimensions 45x38x7.8mm
- Warranty 5 years
- Beam angle: 160°
- Can be cut between every unit
- EL, CE and RoHS compliant
- Narrow white binning
- Constant Current Technology
- Operating temperature -25~+60°C

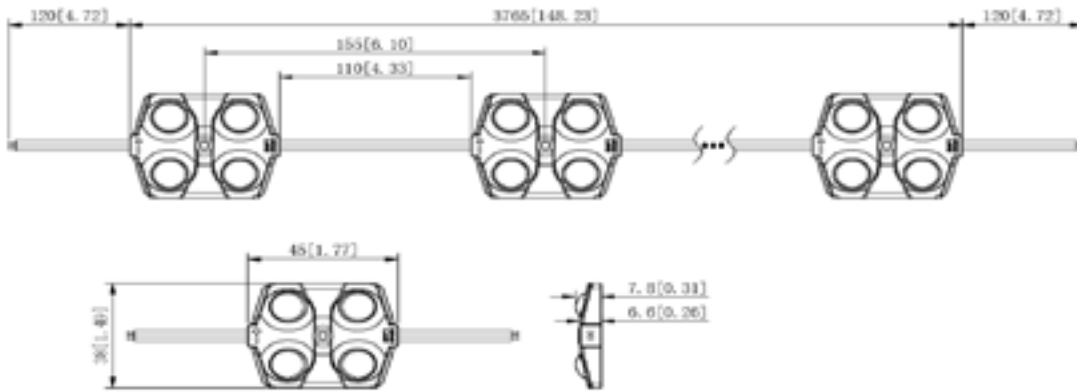


LUMINOUS INTENSITY DISTRIBUTION

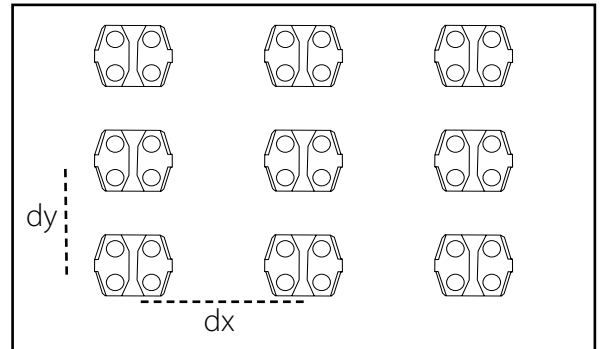


Item no	LED colour	CT (K)	CRI	Power (W/mod)	Flux (lm/mod)	Efficacy (lm/W)	Voltage (DC)	Modules per chain	Modules per carton
VR40-W65	white	6500	>75	1.5	188	125	12	50	800

DIMENSIONS



Light box depth (mm)	Space between modules (mm)	Installing density (pcs/m ²)	Surface luminance range (cd/m ²)
dz=80	dx=130, dy=80	84	3000-3530
dz=100	dx=155, dy=110	54	2230-2440
dz=120	dx=155, dy=140	42	1920-2080



Results may vary depending on face material properties. The data above was obtained using 3mm thick opaque acrylic with a 54% light transmittance. Lucoled advises to paint the inside of the box/ letters in a matt white colour for achieving an optimal result. Always test before production.

POWER SUPPLY CAPACITY 12V SERIES

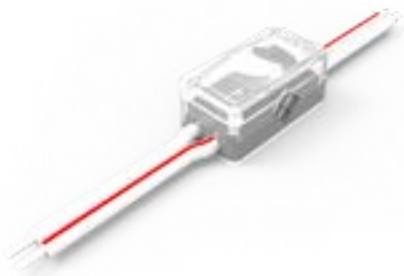
Item	xx1230	xx1260	xx12100	xx12150	VP12240	VP12400
Power Output	30W	60W	100W	150W	240W	400W
VR40 modules / power supply	18	38	63	94	144	240
Maximum 30 modules per chain						

PACKAGING

Item	Qty (pcs/bag)	Qty (bag / carton)	Total Qty (pcs / carton)	Total weight (kg)	Carton size (LxWxH) in mm
VR40	50	16	800	14.1	528 x 376 x 272



LUCOLED BL11



- *5 years warranty*
First 2 years extended warranty
- *High efficacy: 158lm/W*
- *Constant Current Technology*
- *Narrow white binning*

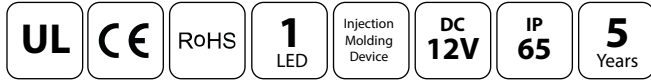
Lucoled Plus BL11 modules offer a high quality and efficient backlit solution for channel letters made from routed full acrylic.

Lucoled Plus BL11 modules are IP65 and can be used without the need for fully potting the acrylic letters. This makes the production process much cleaner and faster. Potting material can also damage LED phosphor and can have a colour shift and reduced life as a result. The BL11 is a fully enclosed module and does not have this disadvantage.

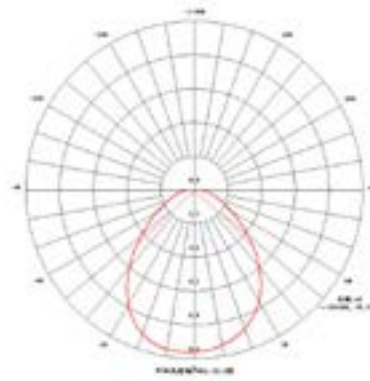
Lucoled Plus BL11 can also be used in very narrow and small traditional channel letters.

SPECIFICATIONS

- Dimensions 13x7x7mm
- Warranty 5 years (first 2 years extended)
- Beam angle: 120°
- Can be cut between every unit
- UL, CE and RoHS compliant
- Narrow white binning
- Constant Current Technology
- Operating temperature -25~+60C

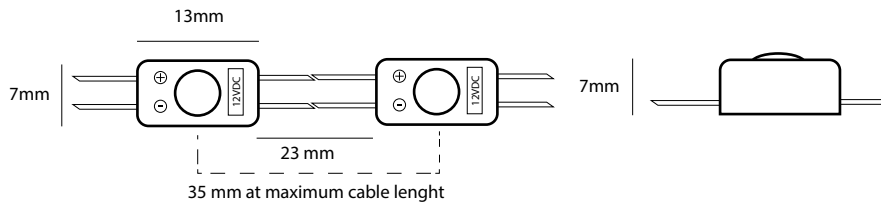


LUMINOUS INTENSITY DISTRIBUTION



Item no	LED colour	CT (K)	CRI	Power (W/mod)	Flux (lm/mod)	Efficacy (lm/W)	Voltage (DC)	Modules per chain	Modules per carton
BL11-W65	white	6500	>70	0.24	38	158	12	50	8400
BL11-W30	white	3000	>70	0.24	38	158	12	50	8400

DIMENSIONS



POWER SUPPLY CAPACITY 12V SERIES

Item	xx1230	xx1260	xx12100	xx12150	VP12240	VP12400
Power Output	30W	60W	100W	150W	240W	400W
BL11 modules / power supply	112	225	375	562	900	1500
Maximum 50 modules per chain						

PACKAGING

Item	Qty (pcs/bag)	Qty (bag / carton)	Total Qty (pcs / carton)	Total weight (kg)	Carton size (LxWxH) in mm
BL11	300	28	8400	12.5	264 x 376 x 272

athlete's co.

LUCOLED BL15



- *5 years warranty*
First 2 years extended warranty
- *Lucolense wide beam technology*
- *High efficacy: 158lm/W*
- *Constant Current Technology*
- *Narrow white binning*

Lucoled Plus BL15 modules offer a high quality and efficient backlit solution for channel letters made from routed full acrylic.

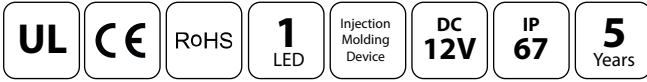
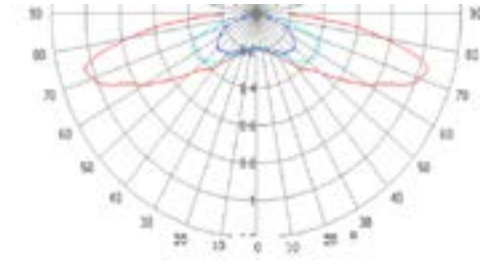
Lucoled Plus BL15 modules are IP67 and can be used without the need for fully potting the acrylic letters. This makes the production process much cleaner and faster. Potting material can also damage LED phosphor and can have a colour shift and reduced life as a result. The BL15 is a fully enclosed module and does not have this disadvantage.

Lucoled Plus BL15 can also be used in very narrow and small traditional channel letters.

SPECIFICATIONS

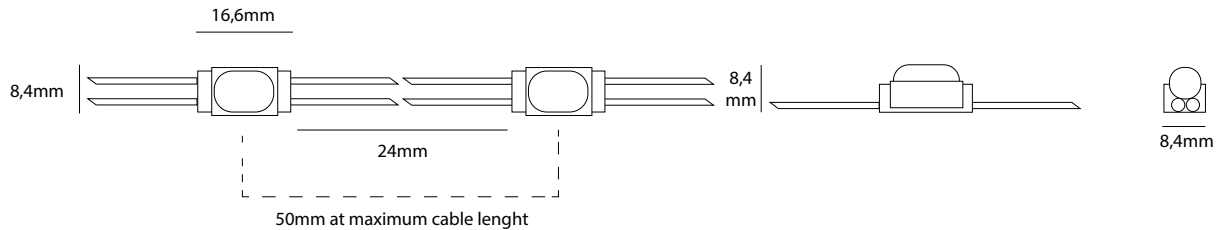
- Dimensions 16.6x8.4x8.4mm
- Warranty 5 years (first 2 years extended)
- Beam angle: 170° x 130° oval
- Can be cut between every unit
- UL, CE and RoHS compliant
- Narrow white binning
- Constant Current Technology
- Operating temperature -25~+80C

LUMINOUS INTENSITY DISTRIBUTION



Item no	LED colour	CT (K)	CRI	Power (W/mod)	Flux (lm/mod)	Efficacy (lm/W)	Voltage (DC)	Modules per chain	Modules per carton
BL15-W30	white	3000	>70	0.24	38	158	12	50	6000
BL15-W65	white	6500	>70	0.24	38	158	12	50	6000

DIMENSIONS



POWER SUPPLY CAPACITY 12V SERIES

Item	xx1230	xx1260	xx12100	xx12150	VP12240	VP12400
Power Output	30W	60W	100W	150W	240W	400W
BL15 modules / power supply	112	225	375	562	900	1500
Maximum 50 modules per chain						

PACKAGING

Item	Qty (pcs/bag)	Qty (bag / carton)	Total Qty (pcs / carton)	Total weight (kg)	Carton size (LxWxH) in mm
BL15	500	12	6000	7.2	264 x 376 x 272

next

LUCOLED BL16



- *5 years warranty*
First 2 years extended warranty
- *Lucolense Technology*
- *High efficacy: 133lm/W*
- *Constant Current Technology*
- *Narrow white binning*

Lucoled Plus BL16 modules offer a high quality and efficient backlit solution for small face lit channel letters with a depth from 20 to 60mm and stroke widths up to 50 mm for a single row.

Lucoled Plus BL16 modules are IP67 and can be used in outdoor applications.

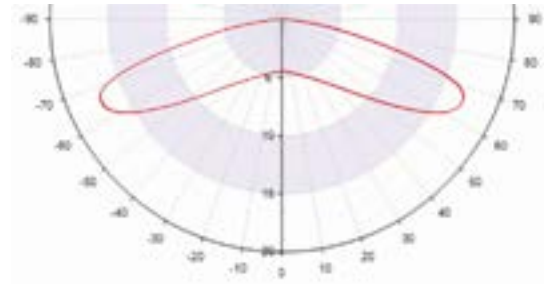
Lucoled Plus BL16 modules are available in several colour temperatures.

SPECIFICATIONS

- Dimensions 10.3x15.3x7.8mm
- Warranty 5 years (first 2 years extended)
- Beam angle: 160°
- Can be cut between every unit
- UL, CE and RoHS compliant
- Narrow white binning
- Constant Current Technology
- Operating temperature -25~+80C

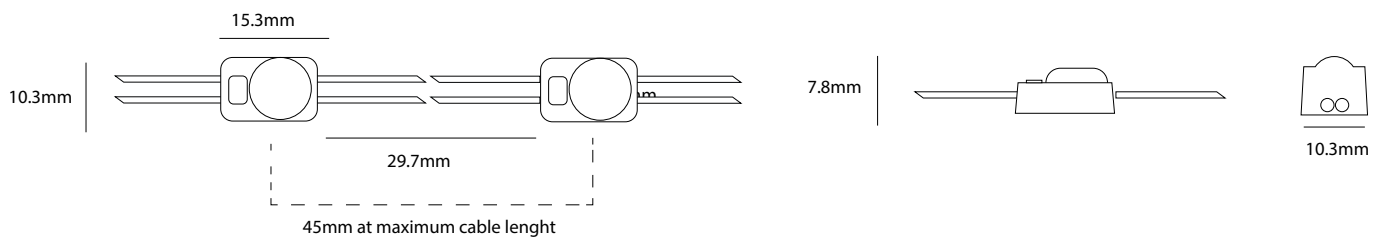


LUMINOUS INTENSITY DISTRIBUTION



Item no	LED colour	CT (K)	CRI	Power (W/mod)	Flux (lm/mod)	Efficacy (lm/W)	Voltage (DC)	Modules per chain	Modules per carton
BL16-W35	white	3500	>70	0.30	30	100	12	50	5600
BL16-R	red	n.a.	>70	0.30	12	40	12	50	5600

DIMENSIONS



POWER SUPPLY CAPACITY 12V SERIES

Item	xx1230	xx1260	xx12100	xx12150	VP12240	VP12400
Power Output	30W	60W	100W	150W	240W	400W
BL16 modules / power supply	90	180	300	450	720	1200
Maximum 50 modules per chain						

PACKAGING

Item	Qty (pcs/bag)	Qty (bag / carton)	Total Qty (pcs / carton)	Total weight (kg)	Carton size (LxWxH) in mm
BL16	400	14	5600	11.8	530 x 380 x 280

WELCOME TO
GRAND CENTRAL

LUCOLED BL17



- *5 years warranty*
First 2 years extended warranty
- *Lucolense Technology*
- *High efficacy: 160 lm/W*
- *Constant Current Technology*
- *Narrow white binning*

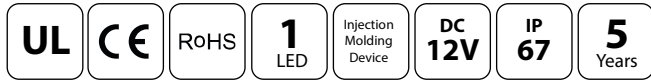
Lucoled Plus BL17 modules offer a high quality and high efficient backlit solution for small face lit channel letters with a depth from 20 to 60mm and stroke widths up to 50 mm for a single row.

Lucoled Plus BL17 modules are IP67 and can be used in outdoor applications.

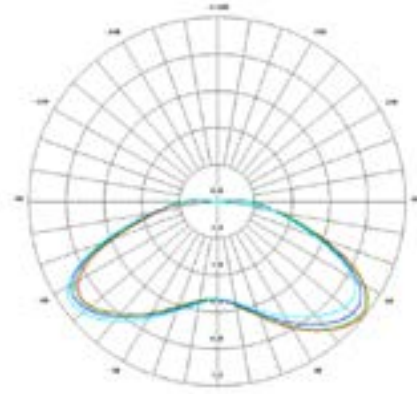
Lucoled Plus BL17 modules are available in several colour temperatures.

SPECIFICATIONS

- Dimensions 10x16x8.8mm
- Warranty 5 years (first 2 years extended)
- Beam angle: 160°
- Can be cut between every unit
- UL, CE and RoHS compliant
- Narrow white binning
- Constant Current Technology
- Operating temperature -25~+80C

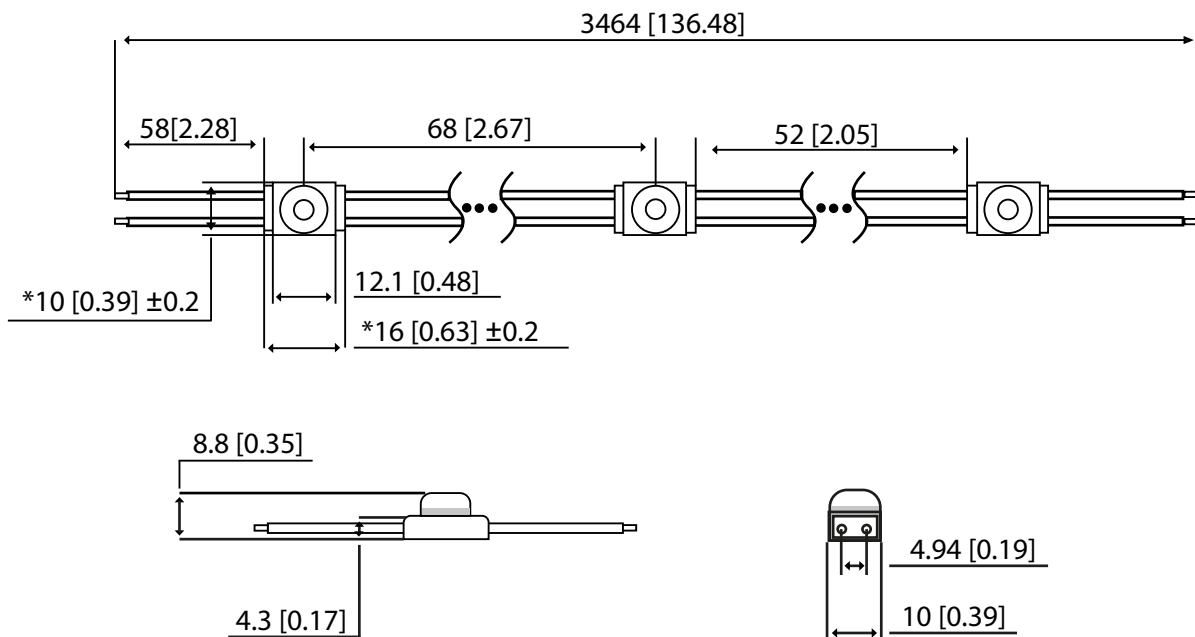


LUMINOUS INTENSITY DISTRIBUTION



Item no	LED colour	CT (K)	CRI	Power (W/mod)	Flux (lm/mod)	Efficacy (lm/W)	Voltage (DC)	Modules per chain	Modules per carton
BL17-W35	white	3500	>70	0.24	38	160	12	50	5000
BL17-W70	white	7000	>70	0.24	38	160	12	50	5000

DIMENSIONS



POWER SUPPLY CAPACITY 12V SERIES

Item	xx1230	xx1260	xx12100	xx12150	VP12240	VP12400
Power Output	30W	60W	100W	150W	240W	400W
BL17 modules / power supply	112	225	375	562	900	1500
Maximum 50 modules per chain						

PACKAGING

Item	Qty (pcs/bag)	Qty (bag / carton)	Total Qty (pcs / carton)	Total weight (kg)	Carton size (LxWxH) in mm
BL17	500	10	5000	11.2	530 x 380 x 280



LUCOLED BL20



- *5 years warranty*
First 2 years extended warranty
- *Smallest 2 LED module*
- *Lucolense technology*
- *Narrow white binning*
- *Bend-And-Stay wiring*

Lucoled Plus BL20 modules offer a high quality and efficient backlit solution for small face lit channel letters with a depth from 20 to 60 mm.

Lucoled Plus BL20 modules are IP67 and are easy to install due to the VHB tape with a peel-off lip and special Bend-And-Stay wiring that keeps its position once bent.

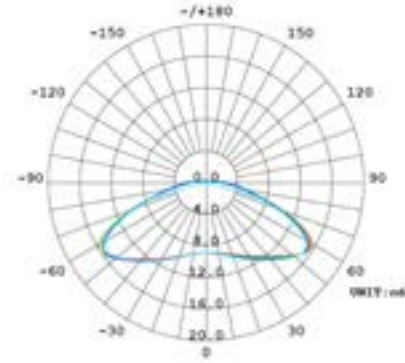
Lucoled Plus BL20 is the best solution for very narrow and small, face lit, channel letters, including 3D printed versions.

SPECIFICATIONS

- Dimensions 8.5x13.3x7.8mm
- Warranty 5 years (first 2 years extended)
- Beam angle: 155°
- Can be cut between every unit
- UL, CE and RoHS compliant
- Narrow white binning
- Constant Current Technology
- Operating temperature -25~+60C
- 3M VHB tape
- Bend-And-Stay PVC wires

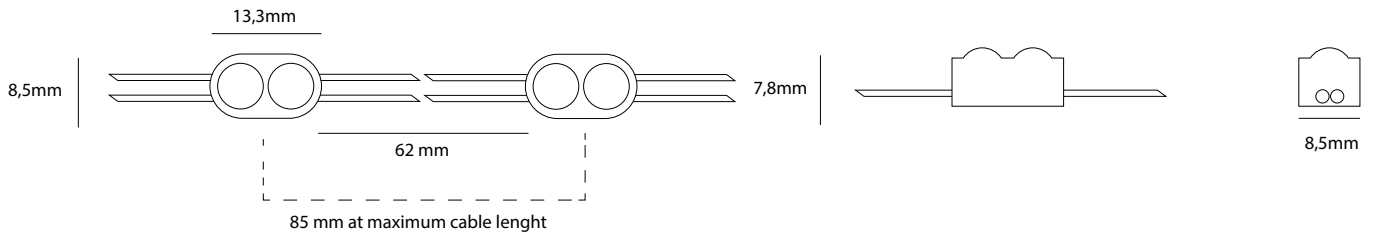


LUMINOUS INTENSITY DISTRIBUTION



Item no	LED colour	CT (K)	CRI	Power (W/mod)	Flux (lm/mod)	Efficacy (lm/W)	Voltage (DC)	Modules per chain	Modules per carton
BL20-W65	white	6500	>80	0.28	30	107	12	50	6000

DIMENSIONS



POWER SUPPLY CAPACITY 12V SERIES

Item	xx1230	xx1260	xx12100	xx12150	VP12240	VP12400
Power Output	30W	60W	100W	150W	240W	400W
BL20 modules / power supply	96	193	321	482	771	1285
Maximum 50 modules per chain						

PACKAGING

Item	Qty (pcs/bag)	Qty (bag / carton)	Total Qty (pcs / carton)	Total weight (kg)	Carton size (LxWxH) in mm
BL20	500	12	6000	12.5	530 x 380 x 280



LUCOLED BL31



- *5 years warranty*
First 2 years extended warranty
- *Lucolense wide beam technology*
- *High efficacy*
- *Constant Current Technology*
- *Narrow white binning*

Lucoled Plus BL31 modules offer a high quality and efficient backlit solution for lightboxes with a depth of 100-300 mm.

Using the latest Top-Tier LED technology and high quality patented optics Lucoled Plus BL31 offers industry leading efficacy and coverage. This not only reduces the amount of modules needed for an application, but also the overall power consumption.

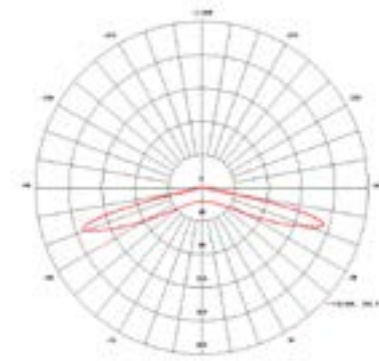
In a typical application of 125 mm deep only 9 modules per square meter are used at maximum wire spacing, making installation very fast and less labour intensive. Using only 32,4 W per square meter also the number of power supplies needed is strongly reduced.

SPECIFICATIONS

- Dimensions 169x32x10mm
- Warranty 5 years (first 2 years extended)
- Beam angle: 170°
- Can be cut between every unit
- UL, CE and RoHS compliant
- Narrow white binning
- Constant Current Technology
- Operating temperature -25~+60C

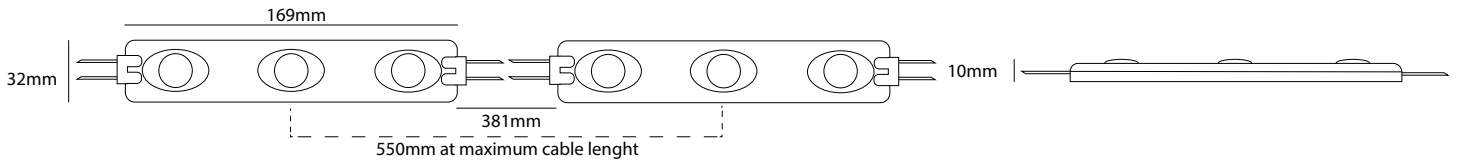


LUMINOUS INTENSITY DISTRIBUTION

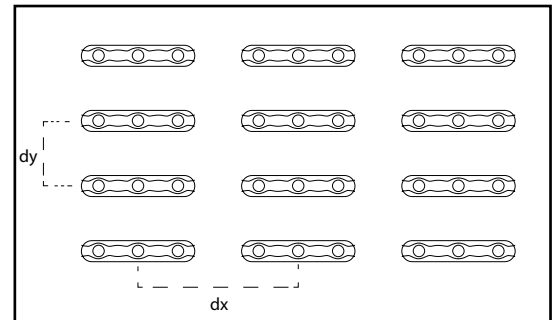


Item no	LED colour	CT (K)	CRI	Power (W/mod)	Flux (lm/mod)	Efficacy (lm/W)	Voltage (DC)	Modules per chain	Modules per carton
BL31-W30	white	3000	>70	3.6	350	97	12	16	320
BL31-W65	white	6500	>70	3.6	350	97	12	16	320

DIMENSIONS



Light box depth (mm)	Space between modules (mm)	Installing density (pcs/m ²)	Surface luminance range (cd/m ²)
dz=100	dx=300, dy=250	13	900-1100
dz=150	dx=300, dy=500	7	400-450
dz=200	dx=300, dy=700	5	250-300
dz=250	dx=350, dy=900	3	160-180
dz=300	dx=350, dy=1100	3	160-180



Results may vary depending on face material properties. The data above was obtained using 3mm thick opaque acrylic with a 54% light transmittance. Lucoled advises to paint the inside of the box/letters in a matt white colour for achieving an optimal result. Always test before production.

POWER SUPPLY CAPACITY 12V SERIES

Item	xx1230	xx1260	xx12100	xx12150	VP12240	VP12400
Power Output	30W	60W	100W	150W	240W	400W
BL31 modules / power supply	7	14	24	36	60	100
Maximum 16 modules per chain						

PACKAGING

Item	Qty (pcs/bag)	Qty (bag / carton)	Total Qty (pcs / carton)	Total weight (kg)	Carton size (LxWxH) in mm
BL31	32	10	320	20.1	528 x 376 x 272



LUCOLED BL36-RGBW



- *5 years warranty*
- *Lucolense wide beam technology*
- *RGBW True white technology*

Lucoled Plus BL36-RGBW modules offer a high quality backlit solution for colour changing or custom colour channel letters and lightboxes with a depth of 80 – 250 mm.

Using the latest 4-in-1 package RGBW technology the modules can create a true white, as it contains a separate white LED. By adding white to the RGB mix it is possible to accurately match any colour desired and make pastel and lighter colours more vibrant. The special optics provide optimal mixing of the individual colours and make it possible to use the modules in shallow applications.

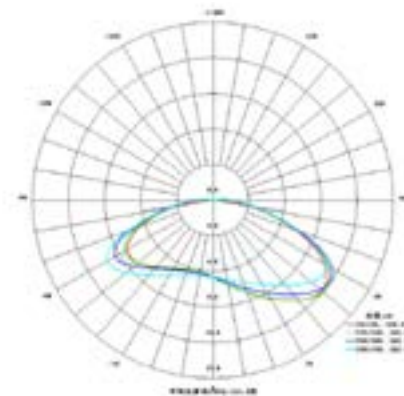
Lucoled Plus BL36-RGBW can be controlled by all available control systems in the market, offering maximum flexibility for your projects.

SPECIFICATIONS

- Dimensions 78x178x11mm
- Warranty 5 years
- Beam angle: 160°
- Can be cut between every unit
- UL, CE and RoHS compliant
- Constant Current Technology
- Operating temperature -25°~+60°C
- R = 625 nm, G = 525 nm, B = 470 nm
- W = 6500K

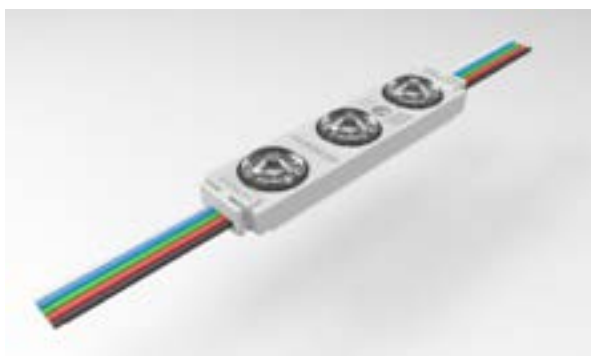
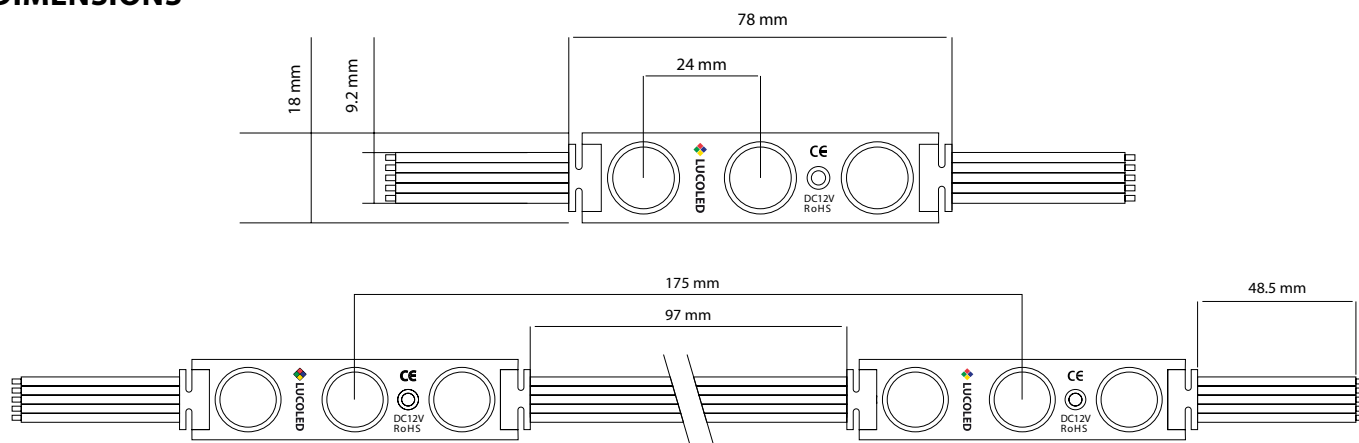


LUMINOUS INTENSITY DISTRIBUTION



Item no	LED colour	CT (K)	CRI	Power (W/mod)	Flux (lm/mod)	Voltage (DC)	Modules per chain	Modules per carton
BL36-RGBW	RGBW	RGBW (W=6500)	>75	1.02 (RGBW on)	R8 G16 B4 W26	12	20	640

DIMENSIONS



POWER SUPPLY CAPACITY 12V SERIES

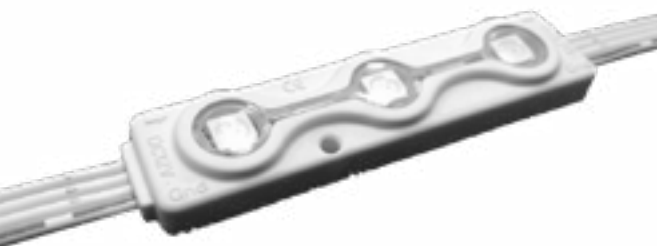
Item	xx1230	xx1260	xx12100	xx12150	VP12240	VP12400
Power Output	30W	60W	100W	150W	240W	400W
BL36 modules / power supply (RGBW all on)	27	54	90	135	212	352
Maximum 20 modules per chain						

PACKAGING

Item	Qty (pcs/bag)	Qty (bag / carton)	Total Qty (pcs / carton)	Total weight (kg)	Carton size (LxWxH) in mm
BL36-RGBW	40	16	640	16.1	528x 378 x 272



LUCOLED BL37-RGBDC



- *5 years warranty*
- *RGB Dot Controllable (SPI)*
- *Control IC: WS2811 (UCS512B3)*

Lucoled Plus BL37-RGBDC modules offer a high quality dynamic backlit solution for colour changing or custom colour channel letters and lightboxes with a depth of 100 – 250 mm.

The BL37-RGBDC modules can be individually controlled. This way dynamic lightboxes or logo's can be created with animated effects or even low resolution video.

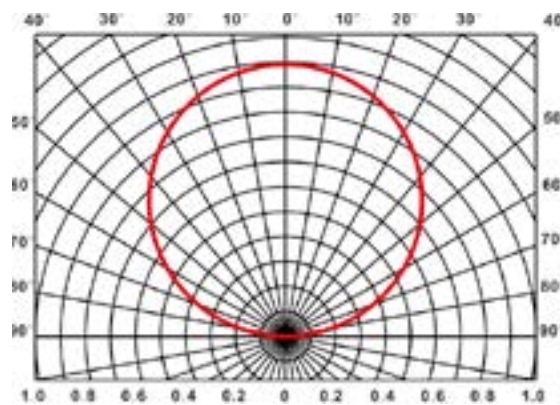
Lucoled Plus BL37-RGBDC can be controlled by many industry standard DMX/SPI control systems in the market, offering maximum flexibility for your projects.

SPECIFICATIONS

- Dimensions 67x16x8mm
- Warranty 5 years
- Beam angle: 120°
- Can be cut between every unit
- UL, CE and RoHS compliant
- SPI(DMX512) control IC WS2811
- Operating temperature -25°~+55°C
- R = 620 nm, G = 510 nm, B = 460 nm

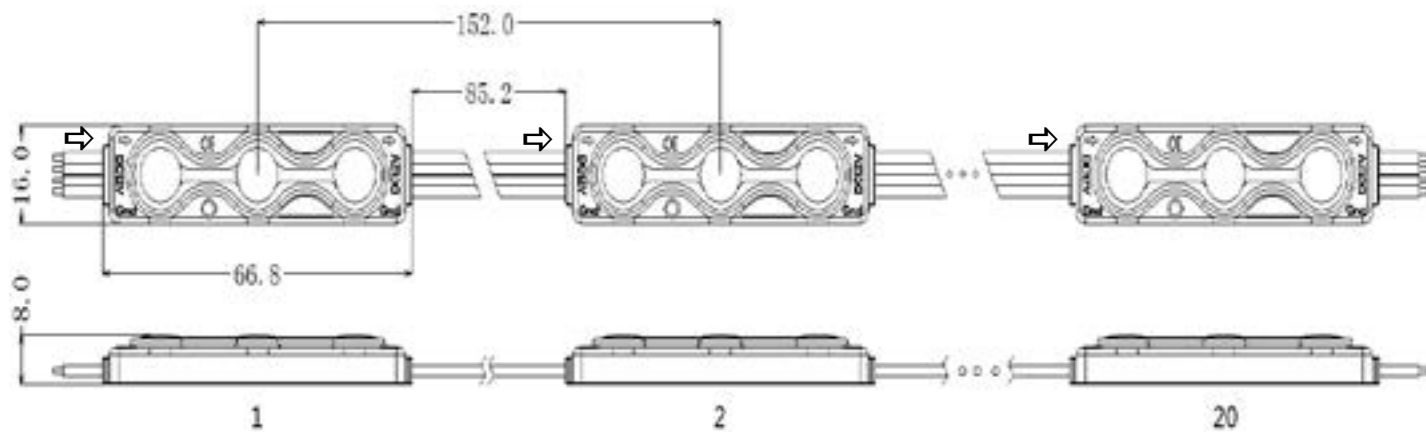


LUMINOUS INTENSITY DISTRIBUTION



Item no	LED colour	CT (K)	CRI	Power (W/mod)	Flux (lm/mod)	Voltage (DC)	Modules per chain	Modules per carton
BL37-RGBDC	RGB	-	-	0.72 W (RGB on)	R6 G16 B4	12	20	1280

DIMENSIONS



POWER SUPPLY CAPACITY 12V SERIES

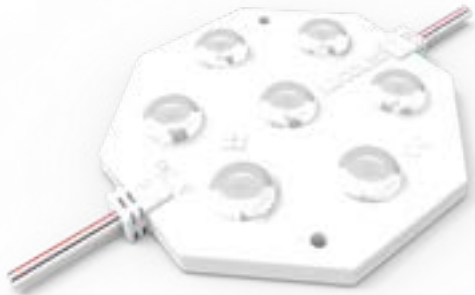
Item	xx1230	xx1260	xx12100	xx12150	VP12240	VP12400
Power Output	30W	60W	100W	150W	240W	400W
BL37 modules / power supply (RGB all on)	37	74	125	187	300	500
Maximum 20 modules per chain						

PACKAGING

Item	Qty (pcs/bag)	Qty (bag / carton)	Total Qty (pcs / carton)	Total weight (kg)	Carton size (LxWxH) in mm
BL37-RGBDC	80	16	1280	16.6	528x 378 x 272



LUCOLED BL72



- *5 years warranty*
First 2 years extended warranty
- *Lucolense wide beam technology*
- *High efficacy*
- *Constant Current Technology*
- *Narrow white binning*

Lucoled Plus BL72 modules offer a high quality and efficient backlit solution for lightboxes with a depth of 120-300 mm.

Using the latest Top-Tier LED technology and high quality patented optics Lucoled Plus BL72 offers industry leading efficacy and coverage. This not only reduces the amount of modules needed for an application, but also the overall power consumption.

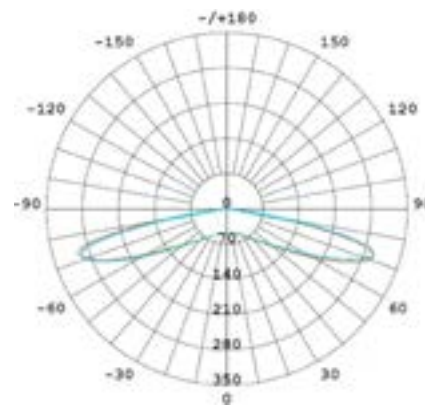
In a typical application of 160 mm deep only 4 modules per square meter are used at maximum wire spacing, making installation very fast and less labour-intensive. By using only 28 W per square meter the number of power supplies needed is also strongly reduced.

SPECIFICATIONS

- Dimensions 100x90x10mm
- Warranty 5 years (first 2 years extended)
- Beam angle: 160°
- Can be cut between every unit
- UL, CE and RoHS compliant
- Narrow white binning
- Constant Current Technology
- Operating temperature -25~+60C

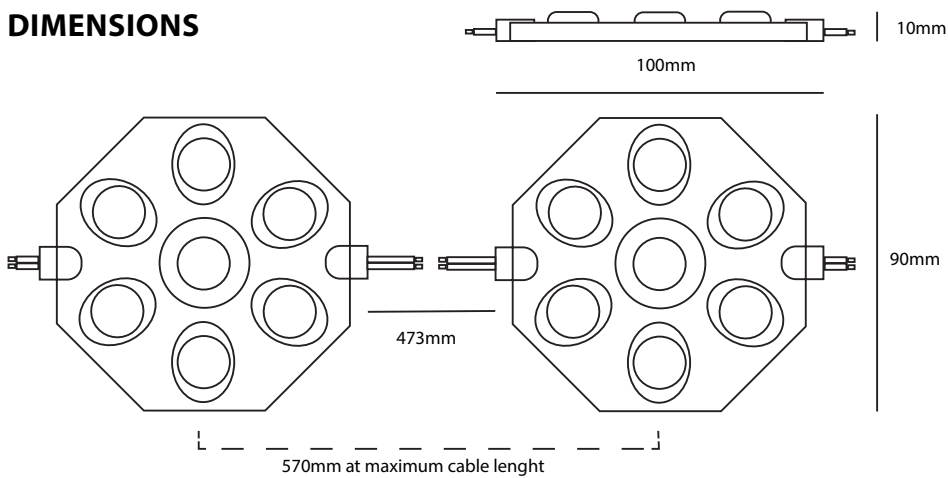


LUMINOUS INTENSITY DISTRIBUTION

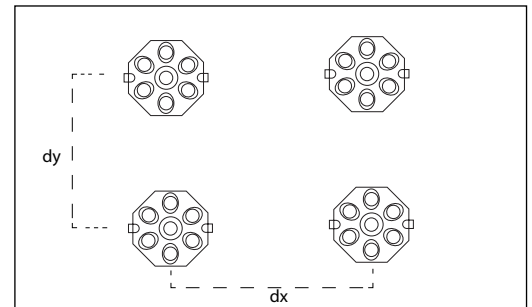


Item no	LED colour	CT (K)	CRI	Power (W/mod)	Flux (lm/mod)	Efficacy (lm/W)	Voltage (DC)	Modules per chain	Modules per carton
BL72-W65	white	6500	>70	7.0	1035	148	24	10	80

DIMENSIONS



Light box depth (mm)	Space between modules (mm)	Installing density (pcs/m ²)	Surface luminance range (cd/m ²)
dz=120	dx=300, dy=300	9	1250-1350
dz=150	dx=450, dy=400	6	850-950
dz=180	dx=500, dy=500	4	450-550
dz=180	dx=450, dy=400	6	700-800
dz=180	dx=300, dy=300	9	1050-1150
dz=250	dx=500, dy=500	4	350-450



Results may vary depending on face material properties. The data above was obtained using 3mm thick opaque acrylic with a 54% light transmittance. Lucoled advises to paint the inside of the box/letters in a matt white colour for achieving an optimal result. Always test before production.

POWER SUPPLY CAPACITY 24V SERIES

Item	xx2430	xx2460	xx24100	xx24150	VP24240	VP24400
Power Output	30W	60W	100W	150W	240W	400W
BL72 modules / power supply	3	7	13	19	30	50
Maximum 10 modules per chain						

PACKAGING

Item	Qty (pcs/bag)	Qty (bags / carton)	Total Qty (pcs / carton)	Total weight (kg)	Carton size (LxWxH) in mm
BL72	10	8	80	15.3	350 x 260 x 250



LUCOLED BLI



- *5 years warranty*
- *Lucolense prismatic flat beam technology*
- *High efficacy*
- *Constant Current Technology*
- *Narrow white binning*

Lucoled BLI LED bars offer a high quality and efficient backlit solution for very shallow lightboxes down to 30 mm deep.

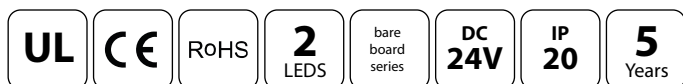
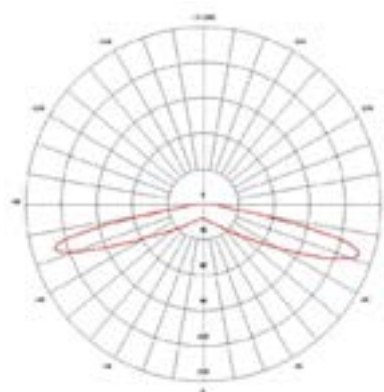
The BLI series comes in 3 lengths, each simply cuttable to fit your lightbox. The whole system is equipped with connectors and comes with a pre wired connection system, making it a plug-and-play installation.

The BLI series uses the latest reimagined flat beam prism lens technology, reducing the number of LED's required for an even illumination and thus also reducing required power per square meter to only 57 W/m². This while offering 6.798 lumen per square meter, 120 lm/W efficiency, giving a bright and efficient result at reduced total cost of ownership.

SPECIFICATIONS

- 2835 SMD LED with long life and low attenuation
- Easy installation with connectors and prewired cable harness, plug and play.
- Warranty 5 years
- Beam angle: 170°
- Cuttable every 2 LEDs
- UL, CE and RoHS compliant
- Narrow white binning
- Constant Current Technology
- Operating temperature -25~+60C

LUMINOUS INTENSITY DISTRIBUTION



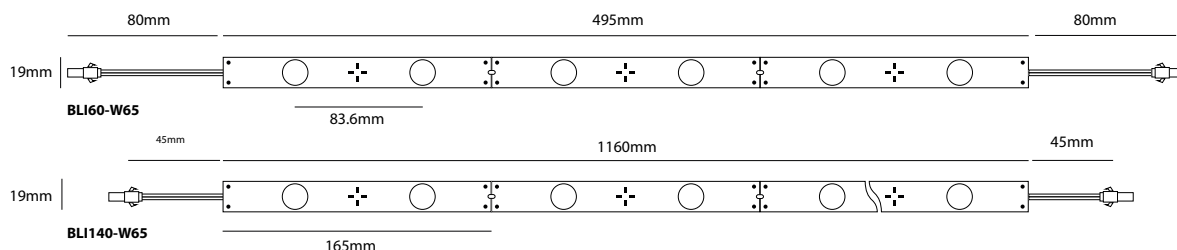
Item no	LED colour	CT (K)	CRI	Power (W/mod)	Flux (lm/mod)	Efficacy (lm/W)	Voltage (DC)	Modules in series	Modules per BLI-CON	Modules per carton
BLI20-W65	white	6500	>70	0.86	101	118	24	24	180	200
BLI20-W40	white	4000	>70	0.86	101	118	24	24	180	200
BLI20-W30	white	3000	>70	0.86	101	118	24	24	180	200
BLI60-W65	white	6500	>70	2.6	312	120	24	8	60	180
BLI60-W40	white	4000	>70	2.6	312	120	24	8	60	180
BLI60-W30	white	3000	>70	2.6	312	120	24	8	60	180
BLI140-W65	white	6500	>70	6	720	120	24	4	30	300

ACCESSORIES

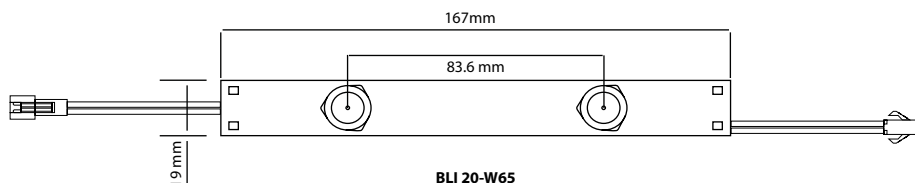
Item no	Description
BLI-CON	BLI cable assembly, 1.5m, 12 connections, every 10cm.
BLI-FCON	BLI power flying leads with female connector
BLI-MCON	BLI power flying leads with male connector
BLI-JCT-300	BLI junction cable male-female 300mm



DIMENSIONS



Light box depth (mm)	row distance (mm)
30 - 60mm	80mm
60 - 80mm	90mm
80 - 100mm	100mm



POWER SUPPLY CAPACITY 24V SERIES

Item	xx2430	xx2460	xx24100	xx24150	VP24240	VP24400
Power Output	30W	60W	100W	150W	240W	400W
BLI 20 modules / power supply	30	60	104	156	251	418
BLI 60 modules / power supply	10	20	34	52	83	138
BLI140 modules / power supply	4	9	15	22	36	60

PACKAGING

Item	Qty (pcs/bag)	Qty (bags / carton)	Total Qty (pcs / carton)	Total weight (kg)	Carton size (LxWxH) in mm
BLI20-W65	10	20	200	4.2	358x256x244
BLI60-W65	9	20	180	9.2	570x340x250
BLI140-W65	10	30	300	30.0	1220x340x250
BLI-CON	30	1	30	5	400x300x150



LUCOLED BLE



- *IP67 for outdoor use*
- *Silicone potted PCB in aluminium profile*
- *5 years warranty. 2 years extended*
- *Lucolense prismatic flat beam technology*
- *IP67 JST connectors and cable system*
- *RVS mounting clips*
- *High efficacy*
- *Constant Current Technology*
- *Fast, plug-and-play, installation*
- *Fast on-site retrofit solution*

Lucoled BLE LED bars offer a high quality and efficient backlit solution for outdoor lightboxes down to 40 mm deep.

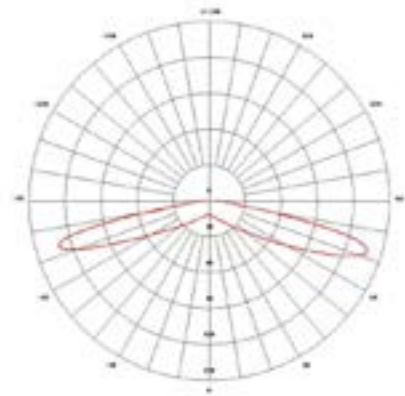
The BLE series comes in 2 lengths. The whole system is equipped with IP67 JST connectors and comes with a range of plug-and-play cable options for easy and fast installation. Especially in retrofit applications replacing traditional light sources.

SPECIFICATIONS

- 2835 SMD LED with long life and low attenuation
- Easy installation with JST connectors and cable system, plug and play.
- Installs in RVS mounting clips. (included)
- Warranty 5 years
- Beam angle: 170°
- UL, CE and RoHS compliant
- Narrow white binning
- Constant Current Technology
- Operating temperature -25~+60C



LUMINOUS INTENSITY DISTRIBUTION

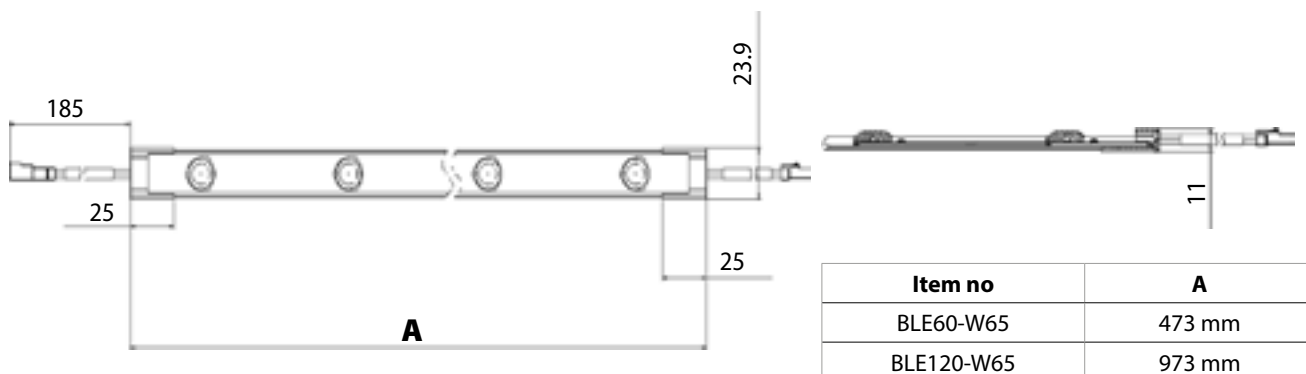


Item no	LED colour	CT (K)	CRI	Power (W/mod)	Flux (lm/mod)	Efficacy (lm/W)	Voltage (DC)	Modules in series	Modules per carton
BLE60-W65	white	6500	>70	3.1	372	120	24	max 8	80
BLE120-W65	white	6500	>70	6.5	756	120	24	max 4	128

ACCESSORIES

Item no	Description	Item no	Description	Item no	Description
L-CAB-M-500	Connection Cable Male	L-CAB-1.0	1 m extension cable	L-CON-BNK-M	Blanking Connector Male
L-CAB-F-500	Connection Cable Female	L-CAB-3.0	3 m extension cable	L-CON-BNK-F	Blanking Connector Female
L-CON-Y-FFM	Y-Connector, 1 male and 2 female connectors	L-CAB-5.0	5 m extension cable		

DIMENSIONS



Light box depth (mm)	row distance (mm)
40 - 60mm	80mm
60 - 80mm	90mm
80 - 100mm	>100mm

Results may vary depending on face material properties. The data above was obtained using 3mm thick opaque acrylic with a 54% light transmittance. Lucoled advises to paint the inside of the box/letters in a matt white colour for achieving an optimal result. Always test before production.

POWER SUPPLY CAPACITY 24V SERIES

Item	xx2430	xx2460	xx24100	xx24150	VP24240	VP24400
Power Output	30W	60W	100W	150W	240W	400W
BLE 60 modules / power supply	10	20	34	52	69	116
BLE120 modules / power supply	4	9	15	22	33	55

PACKAGING

Item	Qty (pcs/bag)	Qty (bags / carton)	Total Qty (pcs / carton)	Total weight (kg)	Carton size (LxWxH) in mm
BLE60-W65	16	8	128	15.8	570x264x280
BLE120-W65	16	5	80	18.4	1070x264x216



LUCOLED DS80/OS80



- *5 years warranty*
- *Lucolense prismatic flat beam technology*
- *High efficacy*
- *Constant Current Technology*
- *Narrow white binning*
- *Easy installation*

Lucoled DS80 offers a high quality and efficient back lighting solution for double sided lightboxes and pylons.

Lucoled OS80 offers a high quality and efficient back lighting solution for single sided lightboxes and pylons.

The DS80 and OS80 are installed in an aluminium mounting profile that is mounted into the sign by easy to install mounting clips. The mounting profile can be cut to size and comes in 3 standard lengths.

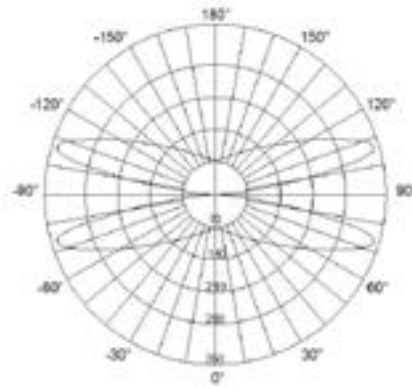
The DS80 and OS80 have an industry leading efficiency of 165 lumen per Watt. In a typical pylon they can be installed with 400 mm row and module spacing due to the use of flat beam prism lenses. This reduces the energy consumption to less than 22 Watt per square meter per side. Still offering almost 3.600 lumen per square meter per side.

SPECIFICATIONS

- Dimensions 155x38x11 mm
- Warranty 5 years
- Beam angle: 170°
- Can be cut between every unit
- UL, CE and RoHS compliant
- Narrow white binning
- Constant Current Technology
- Operating temperature -25~+60C
- Easy installation using aluminium profiles and clips



LUMINOUS INTENSITY DISTRIBUTION

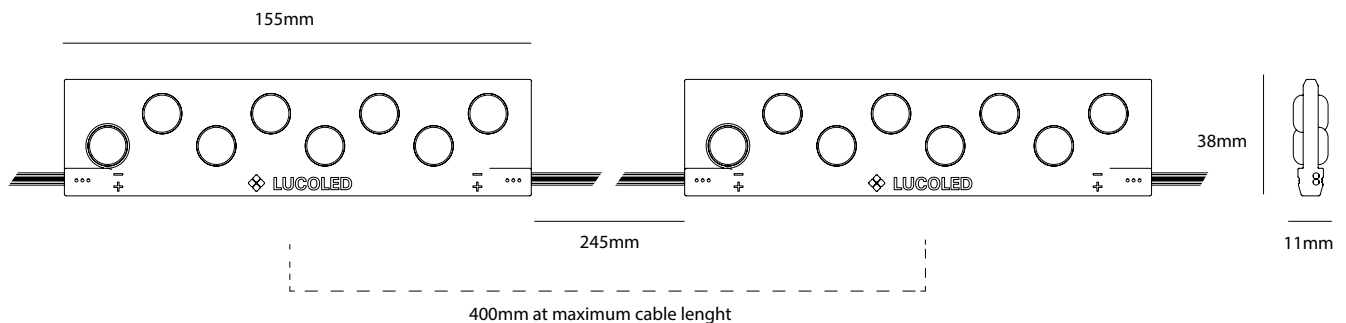


Item no	LED colour	CT (K)	CRI	Power (W/mod)	Flux (lm/mod)	Efficacy (lm/W)	Voltage (DC)	Modules in series	Modules per carton
DS80-W65	white	6500	>70	4.8	792	165	24	20	400
OS80-W65	white	6500	>70	2.4	396	165	24	40	400

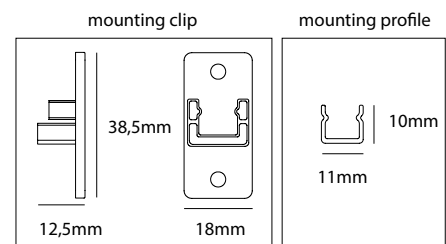
ACCESSORIES

Item no	Description
DS-MC	DS mounting clip, bag of 10
DS-MP-100	DS mounting profile, 1m, bag of 10
DS-MP-200	DS mounting profile, 2m, bag of 10
DS-MP-300	DS mounting profile, 3m, bag of 10

DIMENSIONS



Distance to face (mm)	Space between modules (mm)	Space between rows (mm)
50	300	250
100	400	400
150	350	450
200	300	450



POWER SUPPLY CAPACITY 24V SERIES

Item	xx2460	xx24100	xx24150	VP24240	VP24400
Power Output	60W	100W	150W	240W	400W
DS80 modules / power supply (Max 20 per chain)	12	18	28	45	75
OS80 modules / power supply (Max 40 per chain)	24	36	56	90	150

PACKAGING

Item	Qty (pcs/bag)	Qty (bags / carton)	Total Qty (pcs / carton)	Total weight (kg)	Carton size (LxWxH) in mm
DS80/OS80	20	20	400	26/13.0	528x376x272



LUCOLED EL10



- *5 years warranty*
First 2 years extended warranty
- *Lucolense narrow beam technology*
- *High efficacy*
- *Constant Current Technology*
- *Narrow white binning*

Lucoled Edge Lighting EL10 modules offer a high quality and efficient solution for single-sided signs with a depth of 80-150 mm and double-sided signs with a depth of 80-150 mm, max. 1000 mm wide.

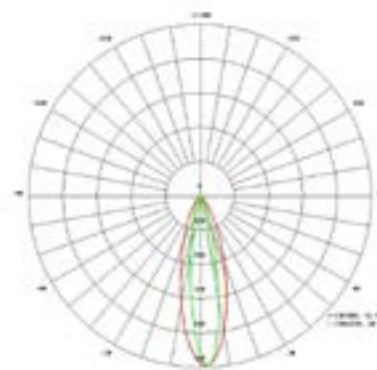
Lucoled EL10 uses patented light reflection technology to evenly illuminate single and double-sided small light boxes and signs. The licensed technology is based on the face being illuminated by over 70% indirect, internally reflecting, light transmitted by narrow beam flare lenses. The modules are mounted on the sides of the box, directing a beam of light at the opposite side. The reflecting light evenly illuminates the face.

EL10 is ideal for round, oval or any other non-rectangular shaped sign as the individual modules can be positioned following the shape of the sides.

SPECIFICATIONS

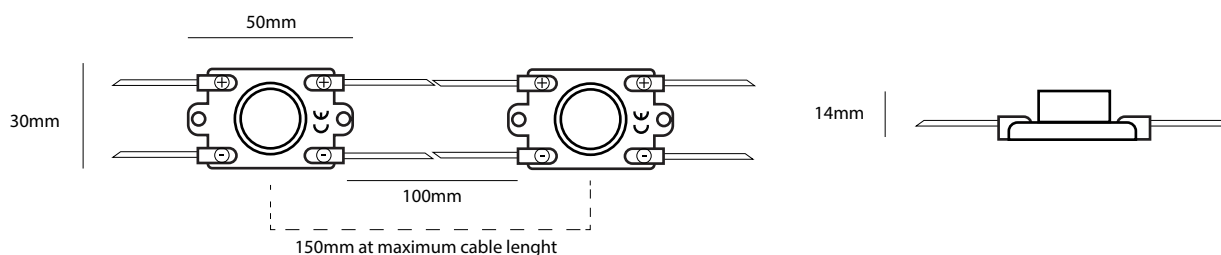
- Dimensions 50x30x14mm
- Warranty 5 years (first 2 years extended)
- Beam angle: 19° * 32°
- Can be cut between every unit
- UL, CE and RoHS compliant
- Narrow white binning
- Constant Current Technology
- Operating temperature -25~+60C

LUMINOUS INTENSITY DISTRIBUTION



Item no	LED colour	CT (K)	CRI	Power (W/mod)	Flux (lm/mod)	Efficacy (lm/W)	Voltage (DC)	Modules per chain	Modules per carton
EL10-W30	white	3000	>70	1.6	160	100	12	25	600
EL10-W65	white	6500	>70	1.6	160	100	12	25	600

DIMENSIONS



POWER SUPPLY CAPACITY 12V SERIES

Item	xx1230	xx1260	xx12100	xx12150	VP12240	VP12400
Power Output	30W	60W	100W	150W	240W	400W
EL10 modules / power supply	16	33	56	84	135	225
Maximum 25 modules per chain						

PACKAGING

Item	Qty (pcs/bag)	Qty (bag / carton)	Total Qty (pcs / carton)	Total weight (kg)	Carton size (LxWxH) in mm
EL10	50	12	600	10,5	528 x 376 x 272



This product is licensed under the Signify (formerly Philips) Enabled LED Signage program when bought as a kit including power supply. The final product in which this kit is used will be covered by this license and free from further royalties.



LUCOLED EL31



- *5 years warranty*
First 2 years extended warranty
- *Lucolense narrow beam technology*
- *High efficacy*
- *Constant Current Technology*
- *Narrow white binning*

Lucoled Edge Lighting EL31 modules offer a high quality and efficient solution for single-sided lightboxes with a depth of 50-100 mm and double-sided lightboxes with a depth of 100-150 mm, max. 1000 mm wide.

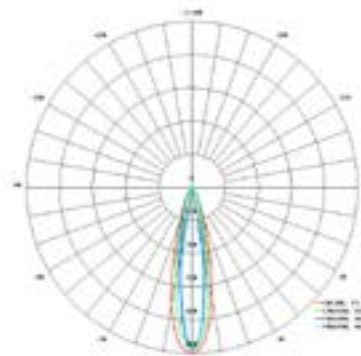
Lucoled EL31 uses patented light reflection technology to evenly illuminate single and double-sided medium size light boxes and signs. The licensed technology is based on the face being illuminated by over 70% indirect, internally reflecting, light transmitted by narrow beam flare lenses. The modules are mounted on the sides of the box, directing a beam of light at the opposite side. The reflecting light evenly illuminates the face.

EL31 is ideal for medium size rectangular shaped signs. The individual modules are normally positioned on opposite sides on the longest side of the sign.

SPECIFICATIONS

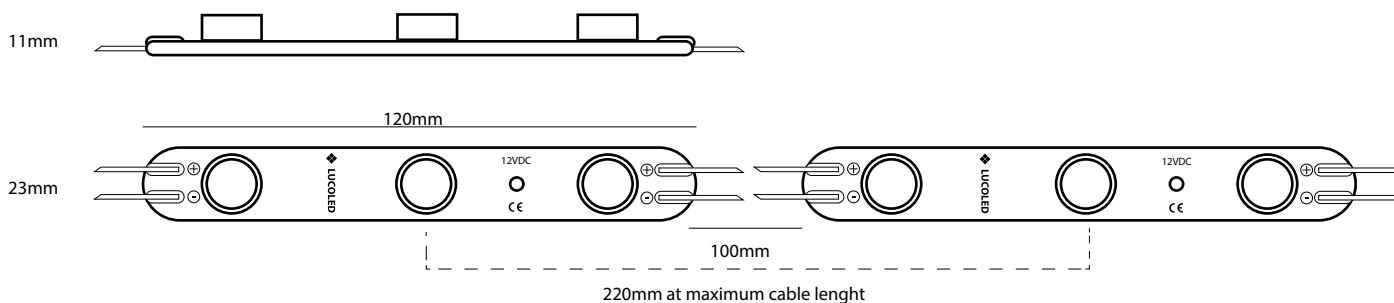
- Dimensions 120x23x11mm
- Warranty 5 years (first 2 years extended)
- Beam angle: 18° * 25°
- Can be cut between every unit
- UL, CE and RoHS compliant
- Narrow white binning
- Constant Current Technology
- Operating temperature -25~+60C

LUMINOUS INTENSITY DISTRIBUTION



Item no	LED colour	CT (K)	CRI	Power (W/mod)	Flux (lm/mod)	Efficacy (lm/W)	Voltage (DC)	Modules per chain	Models per carton
EL31-W30	white	3000	>70	2.88	327	114	12	20	480
EL31-W40	white	4000	>70	2.88	327	114	12	20	480
EL31-W65	white	6500	>70	2.88	327	114	12	20	480

DIMENSIONS

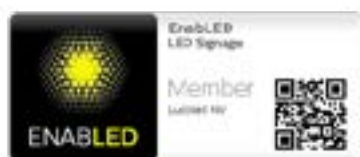


POWER SUPPLY CAPACITY 12V SERIES

Item	xx1230	xx1260	xx12100	xx12150	VP12240	VP12400
Power Output	30W	60W	100W	150W	240W	400W
EL31 modules / power supply	9	18	31	46	75	125
Maximum 20 modules per chain						

PACKAGING

Item	Qty (pcs/bag)	Qty (bag / carton)	Total Qty (pcs / carton)	Total weight (kg)	Carton size (LxWxH) in mm
EL31	60	8	480	14,7	528 x 376 x 272



This product is licensed under the Signify (formerly Philips) EnabLED Signage program when bought as a kit including power supply. The final product in which this kit is used will be covered by this license and free from further royalties.



LUCOLED EL37



- *5 years warranty*
- *Lucolense narrow beam technology*
- *High efficacy*
- *Constant Current Technology*
- *Narrow white binning*
- *For illuminating 3m wide lightboxes*

Lucoled Edge Lighting EL37 modules offer a high quality and efficient solution for single-sided lightboxes with a depth of 100-120 mm and double-sided lightboxes with a depth of 100 -180 mm, max. 3000 mm wide.

Lucoled EL37 has a unique jigsaw connection system allowing the modules to be connected in such a way that a uniform LED spacing is achieved.

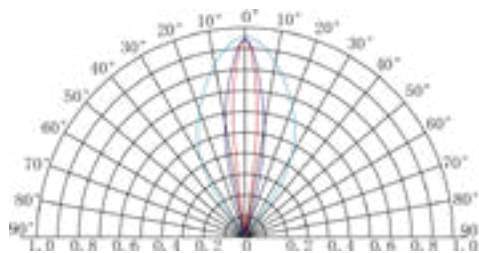
Lucoled EL37 uses patented light reflection technology to evenly illuminate single and double-sided large format light boxes. The licensed technology is based on the face being illuminated by over 70% indirect, internally reflecting, light transmitted by narrow beam flare lenses. The modules are mounted on the sides of the box, directing a beam of light at the opposite side.

EL37 is ideal for large size rectangular shaped signs. The individual modules are normally positioned on opposite sides on the longest side of the sign.

SPECIFICATIONS

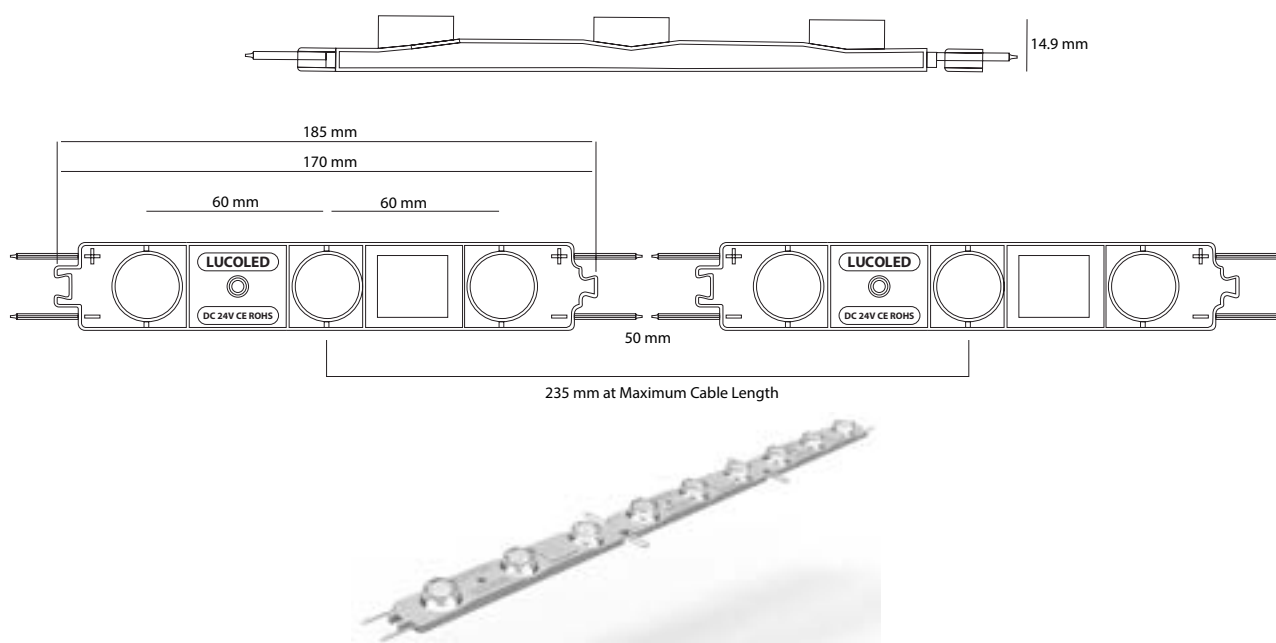
- Dimensions 185x30x15mm
- Warranty 5 years
- Beam angle: 10° * 40°
- Can be cut between every unit
- UL, CE and RoHS compliant
- Narrow white binning
- Constant Current Technology
- Operating temperature -25~+60C

LUMINOUS INTENSITY DISTRIBUTION



Item no	LED colour	CT (K)	CRI	Power (W/mod)	Flux (lm/mod)	Efficacy (lm/W)	Voltage (DC)	Modules per chain	Modules per carton
EL37-W65	white	6500	>75	5.9	740	125	24	20	360
EL37-W40	white	4000	>75	5.9	740	125	24	20	360

DIMENSIONS



POWER SUPPLY CAPACITY 24V SERIES

Item	xx2430	xx2460	xx24100	xx24150	VP24240	VP24400
Power Output	30W	60W	100W	150W	240W	400W
EL37 modules / power supply	4	9	15	22	36	60
Maximum 20 modules per chain						

PACKAGING

Item	Qty (pcs/bag)	Qty (bags / carton)	Total Qty (pcs / carton)	Total weight (kg)	Carton size (LxWxH) in mm
EL37	20	18	360	27	528x376x272



This product is licensed under the Signify (formerly Philips) Enabled Signage program when bought as a kit including power supply. The final product in which this kit is used will be covered by this license and free from further royalties.



LUCOLED POWER SUPPLIES AND CONTROLS



- *Up to 7 years warranty*
- *Wide Voltage Input*
- *OVP, OCP, SCP, OTP protection function*
- *IP67 / IP68 Rating*
- *Class 2 (PP, PPXS, PPDS)*
- *Class II (PPM)*
- *Dim option (PPDS)*

Lucoled offers a full range of Premium Power Supplies. The various power options help you to match the installed power capacity to the total power used by your LED installation.

Lucoled Premium Power Supplies are designed and tested for safety, long life and reliability.

All power supplies are designed for outdoor use and carry all required international agency markings.

SPECIFICATIONS 12V POWER SUPPLIES

Output Voltage	12V
Working temperature range PP	-40°C~+65°C
Input Voltage Range	100VAC~240VAC
Input Frequency Range	50~60Hz
Protective Characteristics	Over-Current, Short-Circuit, Over Voltage and Over-Temperature protection
IP Rating	IP68
MTBF PP	≥70000hrs. MIL-HDBK-217F(25°C)
Warranty	7 Years, first 2 years extended.

Code	Output Current	Output Power	Input Current	Efficiency	Size (l x w x h)	Weight
PP1260	5A	60W	0.65A/115V - 0.35A/230V	≥86%	184x44x34mm	0,52kg
PP12100	8.33A	100W	1.1A/115V - 0.55A/230V	≥90%	204x67x35mm	0,88kg
PP12150	12.5A	150W	1.6A/115V - 0.8A/230V	≥92%	234x68x35mm	1kg



Type Approved
Safety
Regular
Production
Surveillance
www.tuv.com
ID 2000000000



RoHS IP68

SPECIFICATIONS NEW 12V POWER SUPPLIES

Output Voltage	12V
Working temperature range	-40°C~+55°C
Input Voltage Range	100VAC~240VAC
Input Frequency Range	50~60Hz
Protective Characteristics	Over-Current, Short-Circuit, Over Voltage and Over-Temperature protection
IP Rating	IP68
MTBF	40Khrs. MIL-HDBK-217F(25°C)
Warranty	7 Years, first 2 years extended.

Code	Output Current	Output Power	Input Current	Efficiency	Size (l x w x h)	Weight
VP1260	5A	60W	≤0.8A	≥84%	186x40x29mm	0.55kg
VP12100	8.33A	100W	≤1.22A	≥90%	163x68x37mm	0.69kg
VP12150	12.5A	150W	≤1.81A	≥90%	185x68x37mm	0.79kg
VP12240	20A	240W	≤2.93A	≥90%	217x68x37mm	0.98kg
VP12400	33.33A	400W	≤4.87A	≥92%	251x86x42mm	1.66kg



Type Approved
Safety
Regular
Production
Surveillance
www.tuv.com
ID 2000000000



RoHS IP68



Important:

- Lucoled recommends loading power supplies up to 90% of their maximum listed capacity.
- Select a power supply for your installation loaded at more than 50% of its maximum load to meet Power Factor regulations.
- Install with adequate ventilation and not in direct sunlight.
- Power supplies to be installed by trained and certified staff.

SPECIFICATIONS 24V POWER SUPPLIES

Output Voltage	24V
Working temperature range	-40°C~+65°C
Input Voltage Range	100VAC~240VAC
Input Frequency Range	50~60Hz
Protective Characteristics	Over-Current, Short-Circuit, Over Voltage and Over-Temperature protection
IP Rating	IP68
MTBF	≥70000hrs. MIL-HDBK-217F(25°C)
Warranty	7 Years, first 2 years extended.

Code	Output Current	Output Power	Input Current	Efficiency	Size (l x w x h)	Weight
PP2430	1.25A	30W	0.35A/115V - 0.19A/230V	≥84%	187x41x29mm	0,5kg
PP24100	4.16A	100W	1.1A/115V - 0.55A/230V	≥92%	204x67x35mm	0,88kg
PP24150	6.25A	150W	1.6A/115V - 0.8A/230V	≥93%	234x68x35mm	1kg



Type Approved
Safety
Regular
Production
Surveillance
www.tuv.com
ID 200000000



SPECIFICATIONS NEW 24V POWER SUPPLIES

Output Voltage	24V
Working temperature range	-40°C~+55°C
Input Voltage Range	100VAC~240VAC
Input Frequency Range	50~60Hz
Protective Characteristics	Over-Current, Short-Circuit, Over Voltage and Over-Temperature protection
IP Rating	IP68
MTBF	40Khrs. MIL-HDBK-217F(25°C)
Warranty	7 Years, first 2 years extended.

Code	Output Current	Output Power	Input Current	Efficiency	Size (l x w x h)	Weight
VP2460	2.5A	60W	≤0.8A	≥84%	186x40x29mm	0.55kg
VP24100	4.17A	100W	≤1.22A	≥92%	163x68x37mm	0.69kg
VP24150	6.25A	150W	≤1.81A	≥93%	185x68x37mm	0.79kg
VP24240	10A	240W	≤2.93A	≥92%	217x68x37mm	0.98kg
VP24400	16.67A	400W	≤4.87A	≥93%	251x86x42mm	1.66kg



Type Approved
Safety
Regular
Production
Surveillance
www.tuv.com
ID 200000000



SPECIFICATIONS 12V/24V MINI, DOUBLE-ISOLATED CLASS II, POWER SUPPLIES

Output Voltage	12V/24V
Working temperature range	-40°C~+65°C
Input Voltage Range	120VAC~270VAC
Input Frequency Range	50~60Hz
Protective Characteristics	Over-Current, Short-Circuit, Over Voltage protection
IP Rating	IP67
MTBF	≥70000hrs. MIL-HDBK-217F (25°C)
Warranty	5 Years, first 2 years extended.

Code	Output Current	Output Power	Input Current	Efficiency	Size (l x w x h)	Weight
PPM1260	5,0 A	60W	0.65 A/120 VAC - 0.35 A/270 VAC	≥90%	157x23x20mm	0,25kg
PPM12100	8.0 A	100W	1.1 A/120 VAC - 0.55 A/270 VAC	≥92%	157x29x20mm	0,3kg
PPM2460	2.5 A	60W	0.65 A/120 VAC - 0.35 A/270 VAC	≥90%	157x23x20mm	0,25kg
PPM24100	4.0 A	100W	1.1 A/120 VAC - 0.55 A/270 VAC	≥92%	157x29x20mm	0,3kg



Type Approved
Safety
Regular
Production
Surveillance
www.tuv.com
ID 200000000



SPECIFICATIONS SLIM SHORT POWER SUPPLIES

Output Voltage	12V
Working temperature range	-25°C~+45°C
Input Voltage Range	200VAC~240VAC
Input Frequency Range	50~60Hz
Protective Characteristics	Over-Current, Short-Circuit, Over Voltage protection
IP Rating	IP67
MTBF	≥50000hrs. MIL-HDBK-217F(25°C)
Warranty	7 Years, first 2 years extended.

Code	Output Voltage	Output Current	Output Power	Input Current	Efficiency	Size (l x w x h)	Weight
PPXS1230	12 V	2.5A	30W	0.22A/200-240VAC	≥85%	183x35x20mm	0,25kg
PPXS1260	12 V	5A	60W	0.38A/200-240VAC	≥87%	183x35x20mm	0,25kg
PPXS12100	12 V	8.3A	100W	0.7A/200-240VAC	≥90%	209x35x20mm	0,32kg
PPXS12150	12 V	12.5A	150W	0.8A/200-240VAC	≥90%	233x45x23mm	0,39kg
PPXS24100	24 V	4.2A	100W	0.7A/200-240VAC	≥90%	209x35x20mm	0,32kg
PPXS24150	24 V	6.25A	150W	0.8A/200-240VAC	≥90%	233x45x23mm	0,39kg



IP68



SPECIFICATIONS 12V SLIM DIMMABLE POWER SUPPLIES

Output Voltage	12V/24V-25°C~+45°C
Working temperature range	200VAC~240VAC
Input Voltage Range	50~60Hz
Input Frequency Range	Over-Current, Short-Circuit, Over Voltage protection
Protective Characteristics	IP67
IP Rating	≥50000hrs. MIL-HDBK-217F(25°C)
MTBF	7 Years
Warranty	0=10 V, PWM, Resistance
Dim Input (0-100%)	

Code	Output Current	Output Power	Input Current	Efficiency	Size (l x w x h)	Weight
PPDS12100	4.16A	100W	0.7A/200-240VAC	≥90%	258x35x20mm	0,40kg
PPDS24100	2.08A	100W	0.7A/200-240VAC	≥90%	258x35x20mm	0,40kg

SPECIFICATIONS MANUAL EXTERNAL DIMMING OPTION

Input/Output Voltage	12V – 24V
Working temperature range	0°C~+45°C
Output Current Max Range	8 A
IP Rating	IP20
Warranty	3 Years
Dimming Method (0-100%)	PWM

Code	Output Current	Output Power 12 V	Output Power 24 V
DIM-PS	8 A	96 W	192 W



Important:

- Lucoled recommends loading power supplies up to 90% of their maximum listed capacity.
- Select a power supply for your installation loaded at more than 50% of its maximum load to meet Power Factor regulations.
- Install with adequate ventilation and not in direct sunlight.
- Power supplies to be installed by trained and certified staff.

SPECIFICATIONS RF RGB(W) & DIM CONTROL OPTIONS

Input/Output Voltage	12V – 24V
Working temperature range	-30°C~+55°C
IP Rating	IP20
Warranty	5 Years
Diming method (0-100%)	PWM

Code	Output	Output Current	Output Power 12 V	Output Power 24 V
LTECH-M3/M3-3A	RGB	3x3 A	108 W	216 W
LTECH-M6/M3-3A	RGB	3x3 A	108 W	216 W
LTECH-M4/M4-5A	RGBW	4x5 A	144 W	288 W
LTECH-M8/M4-5A	RGBW	4x5 A	144 W	288 W
LTECH-M1/M3-3A	MONO	3x3 A	108 W	216 W



SPECIFICATIONS DMX RGBW & DIM CONTROL OPTIONS

Input/Output Voltage	12V – 24V
Working temperature range	-30°C~+55°C
IP Rating	IP20
Warranty	5 Years
Diming method (0-100%)	PWM

Code	Output		Input	Output Current	OutputPower 12 V	Output Power 24 V
LTECH-LT-820-5A	RGBW	Controller	DMX	4x5 A	240 W	480 W
LTECH-LT-851-6A	RGBW	Controller	DMX	3x6 A	216 W	432 W
LTECH-LT-811-12A	MONO	Controller	DMX	1x12A	144 W	288 W
LTECH-EX1S	DMX	Touch Panel	Manual			
LTECH-EX4S	DMX	Touch Panel	Manual			
LTECH-UX8	DMX	Touch Panel 4 Zones	Manual/WIFI/RF			
LTECH-LM-150-12-G1M2	12 V	Power Supply	DMX	12.5 A	150 W	-
LTECH-LM-150-24-G1M2	24 V	Power Supply	DMX	6.25 A	-	150 W
LC-DMX-4CH-WP	RGBW	IP67 Controller	DMX	4x5 A	240W	480W
LC-DMX-4CH	RGBW	Controller	DMX	4x8 A	384W	768W



SPECIFICATIONS WIFI RGBW CONTROL OPTIONS

Input/Output Voltage 12V – 24V
Working temperature range -30°C~+55°C
IP Rating IP20
Warranty 5 Years
Diming method (0-100%) PWM

Code	Output		Input	Output Current	OutputPower 12 V	Output Power 24 V
LTECH-WIFI-101	DMX	Controller	WIFI (APP)			
LTECH-WIFI-104	RGBW	Controller	RF/WIFI	4x4 A	192 W	384 W
LTECH-WIFI-106	RGBW	Controller	RF/WIFI	4x4 A	192 W	384 W
LTECH-F4-5A	RGBW	Receiver	RF (WIFI-106/F1/F4)	4x5 A	240 W	480 W
LTECH-R4-5A	RGBW	Receiver	RF (WIFI-104)	4x5 A	240 W	480 W
LTECH-EBOX-DMX	DMX	Bridge	RF (WIFI-106)			
LTECH-V3	RF	Remote				
LTECH-F1 DIM	RF	Remote				
LTECH-F4 RGBW	RF	Remote				
LTECH-Q4 RGBW	RF	Remote				
LC-RF-4CH-WP	RGBW	IP67 Controller	RF	4x5 A	240 W	480 W
LC-RF-REMOTE	RF	Remote				
LC-RF-DIMMER	RF	Remote				



SPECIFICATIONS 4 IN 1 CONTROL OPTIONS

Input/Output Voltage 12V – 24V
Working temperature range -30°C~+55°C
IP Rating IP20
Warranty 5 Years
Diming method (0-100%) PWM

Code	Output		Input	Output Current	OutputPower 12 V	Output Power 24 V	Output Power 48 V
LC-DIM-4IN1	MONO	4 in 1 Controller	0-10V / DALI-2 / Push / Phase Cut	2x10A (20A)	240 W	480 W	960 W



SPECIFICATIONS 1-10V CONTROL OPTIONS

Input/Output Voltage	12V – 24V
Working temperature range	-30°C~+55°C
IP Rating	IP20
Warranty	5 Years
Diming method (0-100%)	PWM

Code	Output		Output Current	Output Power 12 V	Output Power 24 V
LTECH-E610	1-10 V	Knob Panel	-	-	-
LTECH-LT-701-6A	MONO	Dimmer	1x6 A	72 W	144 W
LTECH-LT-701-12A	MONO	Dimmer	1x12A	144 W	288 W
LTECH-LM-75-12-G1A2	12 V	Power Supply	6.25 A	75 W	-
LTECH-LM-150-12-G1A2	12 V	Power Supply	12.5 A	150	-



SPECIFICATIONS DALI CONTROL OPTIONS

Input/Output Voltage	12V – 24V
Working temperature range	-30°C~+55°C
IP Rating	IP20
Warranty	5 Years
Diming method (0-100%)	PWM

Code	Output		Input	Output Current	OutputPower 12 V	Output Power 24 V
LTECH-LT-401-12A	MONO	Controller	DALI	1x12A	144 W	288 W
LTECH-LT-411-12A	MONO	Controller DIN rail	DALI	1x12A	144 W	288 W
LTECH-LM-150-24-G1D2	24 V	Power Supply	DALI	12.5 A	-	150 W
LTECH-LM-75-12-G1D2	12 V	Power Supply	DALI	6.25 A	75 W	-
LTECH-LM-75-24-G1D2	24 V	Power Supply	DALi	6.25 A	-	75 W



EPREL ENERGY LABELLING

Article-Nr.	CCT (K)	CRI	Power (W/Mod)	Flux (lm/Mod)	Efficacy (lm/W)	Energy efficiency class
XR20-W70	7000	>74	0.35	65	186	B
XR24-W30	3000	>74	0.72	133	184	B
XR24-W40	4000	>74	0.73	144	197	B
XR24-W50	5000	>74	0.71	137	193	B
XR24-W70	7000	>74	0.67	126	188	B
XR28-W70	7000	>74	1.02	187	183	C
PR20-W40	4000	>70	0.8	120	150	D
PR20-W50	5000	>70	0.8	120	150	D
PV10-W30	3000	>75	0.30	45	152	EXEMPT (< 60 lm)
PV10-W40	4000	>75	0.30	49	161	EXEMPT (< 60 lm)
PV10-W50	5000	>75	0.30	49	160	EXEMPT (< 60 lm)
PV10-W65	6500	>75	0.29	48	165	EXEMPT (< 60 lm)
PV10-W71	7100	>75	0.29	46	158	EXEMPT (< 60 lm)
PV20-W30	3000	>75	0.71	99	139	D
PV20-W40	4000	>75	0.72	114	158	D
PV20-W50	5000	>75	0.72	113	157	D
PV20-W65	6500	>75	0.70	113	161	C
PV20-W71	7100	>75	0.74	110	148	D
PV24-W65	6500	>75	0.71	110	155	D
PV30-W65	6500	>75	1.0	160	160	C
PV44-W65	6500	>75	1.46	224	154	D
PV44-W50	5000	>75	1.46	224	154	D
VR10-W65	6500	>75	0.36	44	122	EXEMPT (< 60 lm)
VR20-W65	6500	>75	0.72	93	129	D
VR30-W65	6500	>75	1.0	128	128	E
VR40-W65	6500	>75	1.5	188	125	D
BL31-W30	3000	>70	3.6	350	97	E
BL31-W65	6500	>70	3.6	350	97	E
BL71-W65	6500	>70	7.0	850	121	D
BLI20-W65	6500	>70	0.86	101	118	E
BLI20-W40	4000	>70	0.86	101	118	D
BLI20-W30	3000	>70	0.86	101	118	D
BLI60-W65	6500	>70	2.6	312	120	E
BLI60-W40	4000	>70	2.6	312	120	D
BLI60-W30	3000	>70	2.6	312	120	D
BLI140-W65	6500	>70	6	720	120	C
BLE60-W65	6500	>70	3.1	372	120	E
BLE120-W65	6500	>70	6.5	756	120	F
DS80-W65	6500	>70	4.8	792	165	D
OS80-W65	6500	>70	2.4	396	165	D
EL10-W30	3000	>70	1.6	160	100	F
EL10-W65	6500	>70	1.6	160	100	F
EL31-W30	3000	>70	2.88	327	114	E
EL31-W40	4000	>70	2.88	327	114	E
EL31-W65	6500	>70	2.88	327	114	E
EL37-W65	6500	>75	5.9	740	125	E
EL37-W40	4000	>75	5.9	740	125	E

All Lucoled products are listed in the EPREL database: <https://eprel.ec.europa.eu/screen/product/lightsources>



LUCOLED

Experience Lighting

BELGIUM

Industriepark 32b
3290 Diest
Belgium

www.lucoled.com

P: +32 (0) 13292829
E: info@lucoled.com

THE NETHERLANDS

Rotterdamseweg 388F
2629 HG Delft
The Netherlands

P: +31 (0) 153649186
E: info@lucoled.com